

April 2024

# Electrical Products & Solutions™

*The Purchasing Guide for Electrical Contractors*

[www.epsmag.net](http://www.epsmag.net)

## Manufacturers' Directory

A List of Our Industry's  
Leading Manufacturers  
and Suppliers

ELECTRICAL PRODUCTS & SOLUTIONS  
ANNUAL  
BUYER'S  
GUIDE  
★ 2024 ★

**PLUS  
Company  
Profiles**

**The Best of the Best?  
You Decide.**

To visit an advertiser's website,  
simply click the QR Code or  
Company Name in their ad.

# iTOOLco.

## THE MVP20K

MORE POWER, NO COMPROMISES.

865-670-3713 | [www.iTOOLco.com](http://www.iTOOLco.com)



company PROFILE **iTOOLco**

## About Us:



iTOOLco is a unique research and development company that has led the electrical tool industry with their groundbreaking designs since 2001. iTOOLco's inventors & Co-Founders David & Michael Jordan have developed and patented countless innovative products, pushing the envelope of what can be done to improve the lives of electricians and distribution partners alike. iTOOLco has been awarded prestigious accolades, including numerous NECA Showstopper Awards, for its groundbreaking work in

the electrical field. Based in Clinton, TN, iTOOLco is dedicated to creating the highest quality American made products, backed by an industry leading 6 year warranty.

With real world experience as electrical contractors, brothers David and Michael Jordan have a deep understanding of the kind of quality, time-saving tools electricians depend on for doing the job right. Over the years iTOOLco has revolutionized the wire pulling market with the introduction of the first ever

12,000 lb. puller - the Cannon 12K, with built in reverse. As well as their Cordless Cannon 3K & 6K (the first on the market of each, respectively). Capable of reaching areas where power may not be available, these pullers allow users to achieve the same amount of power, without worrying where it will come from. Also known for their Gear Punch which includes lifetime replacement on draw studs, Tray Rollers, numerous Material Handling solutions, etc. iTOOLco ensures that no matter the job, we have a solution. □

Interested? Give us a call at 865-670-3713. Or visit us online at [www.iTOOLco.com](http://www.iTOOLco.com).



## CONTENTS



1

14



6

18



20



## Company Profiles

*The Best of the Best? You Decide!*

- 1 iTOOLco
- 6 Miller Safety Consultants
- 14 RANDL Industries, Inc.
- 18 SP Products
- 20 Conduit Repair Systems, Inc.

## 22 Manufacturers Directory

*A List Of Our Industry's Leading Manufacturers and Suppliers*

## DEPARTMENTS

- 10 INDUSTRY NEWS
- 30 NEW PRODUCTS
- 32 AD INDEX

# Electrical Products & Solutions™

The Purchasing Guide for Electrical Contractors [www.epsmag.net](http://www.epsmag.net)

PUBLISHER  
Danny J. Salchert

OFFICE MANAGER  
Anita Salchert

CREATIVE DIRECTOR  
Derek Gaylard

CIRCULATION DIRECTOR  
Pam Fulmer



PRESIDENT  
Danny J. Salchert

EXECUTIVE AND  
ADVERTISING OFFICES  
2009 Eagle Ridge Drive  
Birmingham, AL 35242  
phone: 205.981.4541  
[www.epsmag.net](http://www.epsmag.net)  
[danny@epsmag.net](mailto:danny@epsmag.net)

*Electrical Products & Solutions™* is published twelve times a year on a monthly basis by ABD Communications, Inc., 3591 Cahaba Beach Road, Birmingham, Alabama, 35242, USA. *Electrical Products & Solutions™* is distributed free to qualified subscribers. Non-qualified subscription rates are \$57.00 per year in the U.S. and Canada and \$84.00 per year for foreign subscribers (surface mail). U.S. Postage paid at Birmingham, Alabama and additional mailing offices. *Electrical Products & Solutions™* is distributed to qualified readers in the electrical contracting industry. Publisher is not liable for all content (including editorial and illustrations provided by advertisers) of advertisements published and does not accept responsibility for any claims made against the publisher. It is the advertiser's or agency's responsibility to obtain appropriate releases on any item or individuals pictured in an advertisement. Reproduction of this magazine in whole or in part is prohibited without prior written permission from the publisher.

POSTMASTER: Send address changes to  
ABD Communications, Inc., P.O. Box 382885  
Birmingham, Alabama 35238-2885

FOLLOW US ON



**SP PRODUCTS, INC.**  
Productivity and value thru ideas  
**FOR SAFER BETTER FASTER JOBS**



We're Proud to be the Electricians' Friend for Over 50 Years!

# Qwik Duct

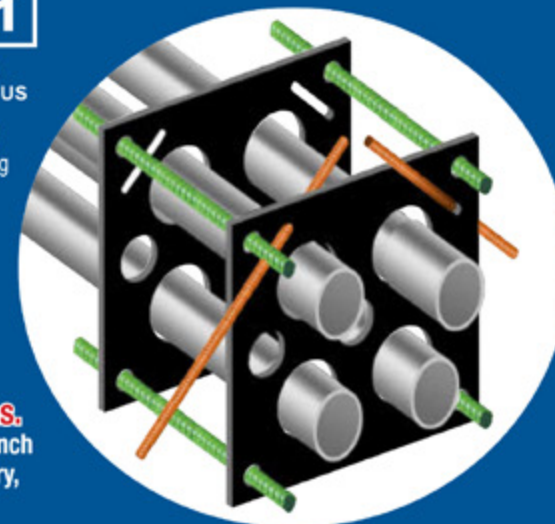
## Safer Better Faster

HDPE CUSTOM TEMPLATES  
In Any Configuration Required

Save on Installation!



**IP1**  
cULus  
Patent Pending



**IP3b**  
Patent Pending



**PVC Offset**  
Sizes 1/2" thru 6"  
Meets Flexible Mandrel Test Requirements

**Bore Spacers** **IP2**  
cULus  
Sizes 1/2" thru 6"  
Roll assembled conduit into caissons and under obstructions



Assemble Conduit Above Trench -  
**No Workers Below - Prevents Injuries and Deaths.**  
Also Allows Digging a Narrower Trench for Less: Excavation, Concrete, Slurry, Backfill & Shoring.

**IP13A-F**

## Conduit Transition Couplings



PVC Schedule 40 & 80  
Transitions in Less Than  
**5 Minutes**

**IP15**

**End Bell Adapter**  
Schedule 40/80 PVC  
cULus  
PATENT PENDING

**Save Cost on the Rigid Nipple, Tape & Labor**  
**Use for Entire Job - Not Just for Repair**

**1 Piece Reaming Bit**  
1/2" thru 6"  
Schedule 40/80  
PATENT PENDING

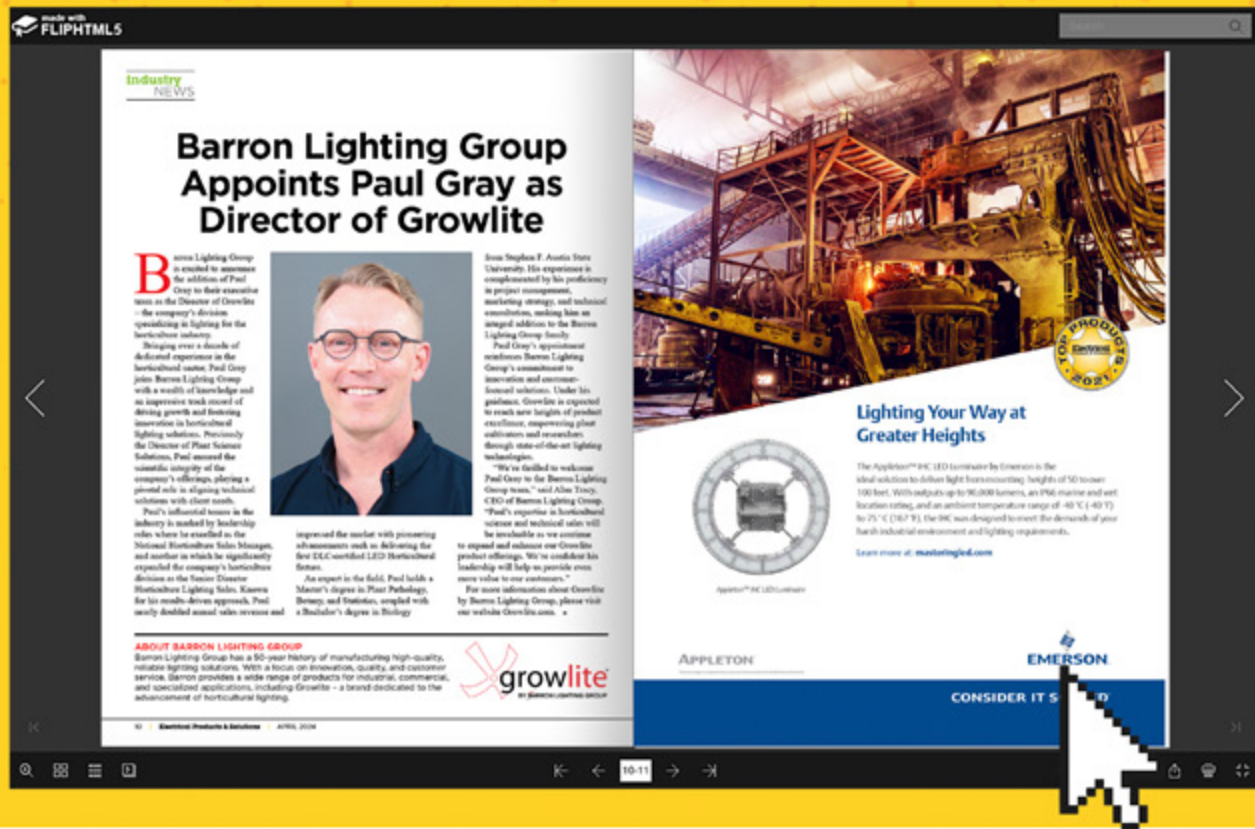
Plus More Being Invented for **SAFER BETTER FASTER** Jobs... Call With Your Ideas!



[SPProducts.com](http://SPProducts.com) **800-233-8595** [info@SPProducts.com](mailto:info@SPProducts.com)

# TO VISIT AN ADVERTISER'S WEBSITE, SIMPLY CLICK THE QR CODE OR COMPANY NAME IN THEIR AD.

**BONUS FEATURE**



## LIGHT UP THE FUTURE WITH LITELOGIC'S SMART CONTROLS

Introducing LiteLogic by Barron – simple, secure, and smart lighting controls designed for versatility.

### BLUETOOTH® MESH

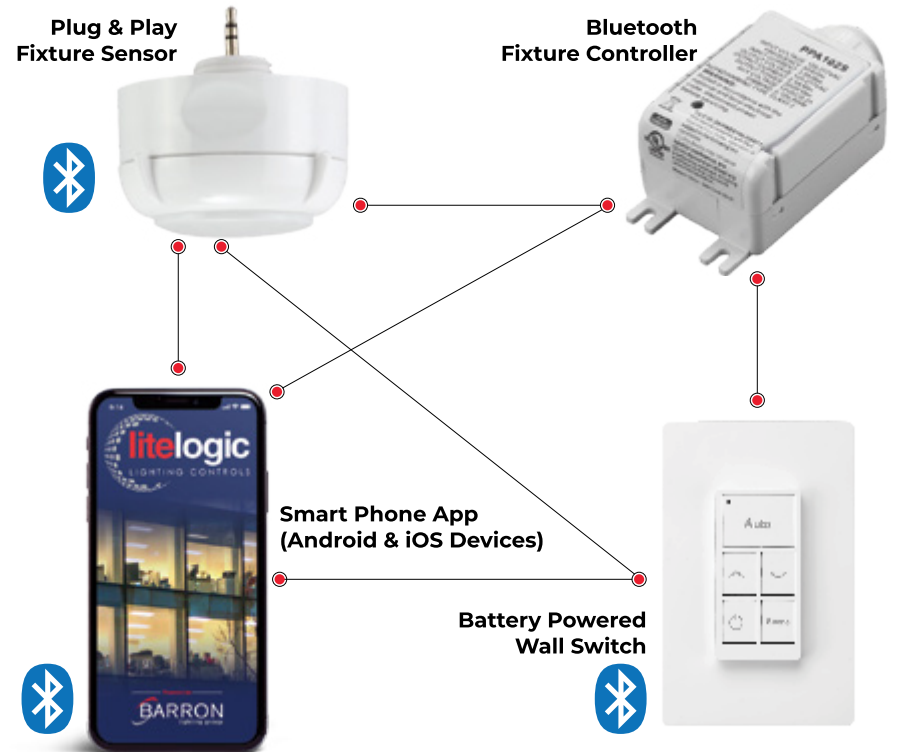
TRANSMISSION UP TO 150 FEET

UNLIMITED ZONES,  
100 DEVICES PER ZONE  
No gateway, no additional equipment required.

### EASY & AFFORDABLE

SET-UP DONE DIRECTLY ON YOUR SMART PHONE IN MINUTES

ALL FIXTURES SEAMLESSLY CONNECT AND TRANSMIT INFORMATION TO ONE ANOTHER.



**READY TO INNOVATE?**  
Contact Your Barron Lighting Rep Today!



888.533.3948 | barronltg.com

**Electrical Products & Solutions™**  
The Purchasing Guide for Electrical Contractors  
www.epsmag.net

# Protect Yourself

## Miller Safety Consultants — A Leader in Arc Flash Protection

**Vince Miller started Miller Safety Consultants**, a veteran owned business in 1999. The goal of the business was to provide cost effective safety consulting, employee training such as: confined space entry, fall protection, electrical safety and provide sales of electrical shock and flash protective equipment and fall protection equipment to businesses in the Washington DC area.

Reliance Industries provided fall protection products and much of the sales and training was on behalf of the supplier. In 2000, the owner decided to retire from his business, and Vince decided to discontinue the fall protection line of his business and concentrate more in the electrical training and products.

Vince had been a distributor for Certified Insulated Products (CIP), a manufacturer of electrical insulated tools and electrical arc flash clothing manufactured by Otex in Rochester, New York. As a distributor, Vince provided sales through his internet website and much through relationships with electrical contractors. His training was a classroom environment and was provided directly to customers but he also taught as a sub-contractor for other safety consulting companies and the Chesapeake Safety Council in Baltimore,

Maryland. In 2005, Vince partnered with Vivid Learning Systems in Cascades, Washington to provide on-line training in safe work practices.

Training in electrical safe work practices is still provided locally in the Washington DC area and as a partner with an electrical engineering firm and online. The training is based on the Occupational Health and Safety Administration (OSHA) standards and the National Fire Protection Association (NFPA) 70E standard.

Miller Safety Consultants is now a distributor for Cementex USA, Burlington, New Jersey, for insulated tools and equipment and clothing from OTEX Protective, Rochester, New York.

The majority of his sales of products are from the web-based store. Cementex is nationally known for their quality equipment. Otex Protective is becoming

more known for their quality clothing. For years, they have manufactured their products under other provider labels. Vince chose to not create his clothing line, but to sell the manufacturer product.

Vince has worked with many electrical company employees to fine-tune the clothing to be more comfortable for the user. Working closely with the manufacturer, they have made slight changes in how the cloth pattern was modified to meet final production. An example is the lightweight 40 Calorie vented hood offered by Otex.

The material is of the latest technology. The vented assembly is constructed for balance on the back of the hardhat and the airflow is 27 CFM to prevent fogging of the face shield and provide cooling to the worker. It took over a year to develop the product with the user prior to having the hood “flash tested”. This product is now standard issue with many electrical contractors.

Being a small business and having quality providers has resulted in satisfied customers for Miller Safety Consultants. Being a direct supplier for OTEX Protective, another small business means customized customer needs can be met. □

*For more information, visit  
Miller Safety Consultants at:  
[www.electricalsafety.com](http://www.electricalsafety.com), email  
Vince at: [sales@millersafety.com](mailto:sales@millersafety.com).*

**AUTHORIZED**  
**Cementex**  
**The Safety Tool Specialists**

**DISTRIBUTOR**

**Give Vince a call at  
(703) 367-0404**



**Deluxe Maintenance Tool Kit**



**Class O Glove Kit**

# Protect yourself from “Arc Flash”



**ARC FLASH LIFT-FRONT HOOD WITH V<sup>12</sup> HIGH-VOLUME VENTILATOR**  
**Compact. Powerful. Reliable**

Our V<sup>12</sup> High-Volume Ventilator boasts an unexpectedly quiet, high output (35+ CFM) turbine fan to cool and circulate the ambient air within the hood. Fully protected beneath it's durable ABS shell and added fabric layering, the V<sup>12</sup> High-Volume Ventilator isn't just compliant, it's superior.



**40 CAL/CM2 ULTRALIGHT CLOTHING  
BY OTEX**

Our new dual-layer Ultralight clothing takes advantage of DuPont's® dedication to scientific advancement and Westex's® industry leading dependability. Weighing in 37% lighter than traditional HRC4 PPE, our Ultralight Clothing is the most innovative contender in the lightweight arena.

**HYBRID LAYERING**

Combined Fabric Weight: 14 oz

Outer Layer: DuPont® Protera  
Color: Navy

Inner Layer: Westex Ultrasoft  
Color: Safety Orange

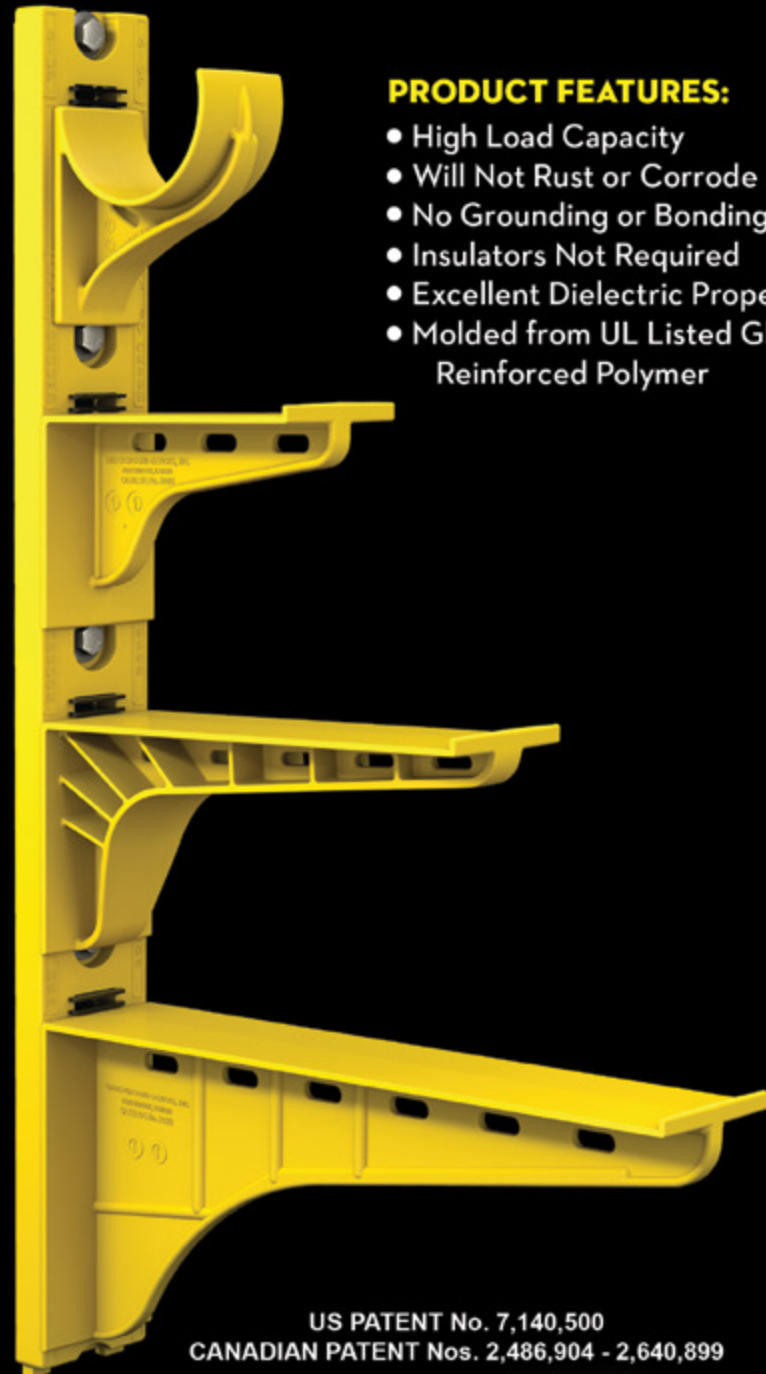


CALL US TODAY  
**(703) 367-0404**

OR VISIT OUR ONLINE ELECTRICAL SAFETY EQUIPMENT STORE  
[www.electricalsafety.com](http://www.electricalsafety.com)

# The Heavy Duty Nonmetallic CABLE RACK

For Power and Communications Manholes And Vaults



## PRODUCT FEATURES:

- High Load Capacity
- Will Not Rust or Corrode
- No Grounding or Bonding
- Insulators Not Required
- Excellent Dielectric Properties
- Molded from UL Listed Glass Reinforced Polymer



HDL Arm Lock shown with RA04 Arm and CR36-B Stanchion



3HDS - 3" throat saddle shown with a cable secured by cable ties.



RA08 - 8" arm shown with three cables secured by cable ties.

US PATENT No. 7,140,500  
CANADIAN PATENT Nos. 2,486,904 - 2,640,899

**UNDERGROUND DEVICES**  
INCORPORATED



420 ACADEMY DRIVE  
NORTHBROOK, IL 60062  
Phone: 847-205-9000 • Fax: 847-205-9004  
Website: [www.udevices.com](http://www.udevices.com)



## Extend Luminaire Life While Reducing Energy Consumption

The Appleton™ Mercmaster™ Connect LED by Emerson is designed to illuminate hazardous and harsh industrial locations with integrated motion and illuminance sensors. Paired with Emerson's Plantweb Insight Connected Lighting Application, operators have access to lighting usage data and sustainability analytics.



Appleton™ Mercmaster™ Connect LED

The Mercmaster Connect LED provides facility managers with continuous monitoring of their LED lighting with real-time insights gained into sustainability goals, diagnostics and lumen levels from any remote location at dramatically lower costs as compared to wired alternatives, with faster installation time and minimal disruption to plant operations.

Learn more at: [masteringled.com](http://masteringled.com)

**APPLETON**

The Emerson logo is a trademark and a service mark of Emerson Electric Co. © 2021 Emerson Electric Co.



**CONSIDER IT SOLVED™**

# Barron Lighting Group Appoints Paul Gray as Director of Growlite

**B**arron Lighting Group is excited to announce the addition of Paul Gray to their executive team as the Director of Growlite – the company’s division specializing in lighting for the horticulture industry.

Bringing over a decade of dedicated experience in the horticultural sector, Paul Gray joins Barron Lighting Group with a wealth of knowledge and an impressive track record of driving growth and fostering innovation in horticultural lighting solutions. Previously the Director of Plant Science Solutions, Paul ensured the scientific integrity of the company’s offerings, playing a pivotal role in aligning technical solutions with client needs.

Paul’s influential tenure in the industry is marked by leadership roles where he excelled as the National Horticulture Sales Manager, and another in which he significantly expanded the company’s horticulture division as the Senior Director Horticulture Lighting Sales. Known for his results-driven approach, Paul nearly doubled annual sales revenue and



impressed the market with pioneering advancements such as delivering the first DLC-certified LED Horticultural fixture.

An expert in the field, Paul holds a Master’s degree in Plant Pathology, Botany, and Statistics, coupled with a Bachelor’s degree in Biology

from Stephen F. Austin State University. His experience is complemented by his proficiency in project management, marketing strategy, and technical consultation, making him an integral addition to the Barron Lighting Group family.

Paul Gray’s appointment reinforces Barron Lighting Group’s commitment to innovation and customer-focused solutions. Under his guidance, Growlite is expected to reach new heights of product excellence, empowering plant cultivators and researchers through state-of-the-art lighting technologies.

“We’re thrilled to welcome Paul Gray to the Barron Lighting Group team,” said Alan Tracy, CEO of Barron Lighting Group.

“Paul’s expertise in horticultural science and technical sales will be invaluable as we continue to expand and enhance our Growlite product offerings. We’re confident his leadership will help us provide even more value to our customers.”

For more information about Growlite by Barron Lighting Group, please visit our website [Growlite.com](http://Growlite.com). □

## ABOUT BARRON LIGHTING GROUP

Barron Lighting Group has a 50-year history of manufacturing high-quality, reliable lighting solutions. With a focus on innovation, quality, and customer service, Barron provides a wide range of products for industrial, commercial, and specialized applications, including Growlite – a brand dedicated to the advancement of horticultural lighting.



## Create a More Productive Environment with Retrofit Solutions

The Appleton™ Retromaster LED Series by Emerson is designed to upgrade outdated legacy lighting fixtures to LED to improve operational life and lower maintenance costs. Safely illuminate Class I, Division 2 locations with models providing up to 5000 lumen output in a compact footprint. With dual lumen outputs, the Retromaster LED provides a tailored retrofit solution for your facility.

Learn More at: [www.masteringled.com](http://www.masteringled.com)



Appleton™ Retromaster LED Series Luminaires

APPLETON™

The Emerson logo is a trademark and a service mark of Emerson Electric Co. © 2024 Emerson Electric Co.



## Affordable test equipment for 2024



### Spitfire - Buried Low Voltage Cable Fault Locator

- ◆ Accurate
- ◆ Easy to use
- ◆ High energy output
- ◆ Proven reliability
- ◆ Compact design
- ◆ Lightweight

### Wayfind'r - Impulse cable tracer

- ◆ Accurate
- ◆ Easy to use
- ◆ Connects directly to energized cables
- ◆ Distinct signal for easy tracing
- ◆ Traces direct buried and cables in conduit
- ◆ Rugged, compact design

### Impulse Phaser - Cable / phase system

- ◆ Accurately identifies cables in trenches, vaults, conduits and enclosures
- ◆ Accurately identifies phases in multi-conductor cables
- ◆ Identifies jacketed, shielded, cables, even in pipe
- ◆ Easy to understand and use



**TIMCO** INSTRUMENTS, LLC

Phone: (401) 539-7120 Fax: (401) 539-6018

www.timcoinstruments.com



In stock in  
Everett, WA



Large  
Inventory

# SILTEC®

## Stainless Steel Cable Trays



[www.siltec.us](http://www.siltec.us)

For more information:

(+1) 425.328.1006

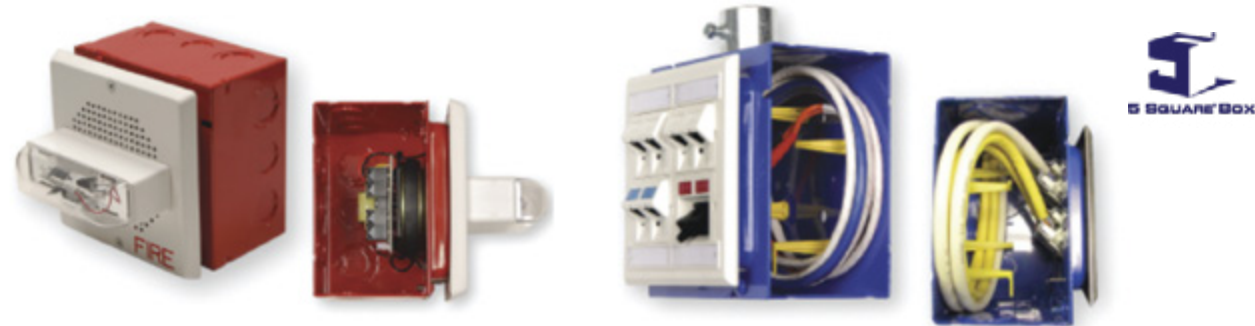
[siltec@siltec.us](mailto:siltec@siltec.us)

11604 Airport Rd, Ste. D100, Everett, WA 98204





# Install Peace of Mind...



**R**ANDL Industries, Inc. is an electrical box manufacturing company dedicated to creating innovative solutions to industry challenges. RANDL Industries, Inc. is located in Spokane Valley, Washington. They invented and manufactured the first ever 5 Square® products.

RANDL's Founder and President, Robert Hagarty, spent nearly 30 years as an electrical superintendent and foreman in the electrical construction and installation industry and has been a member of IBEW Local 73 for many years. Over the years, Bob began to notice that the occurrence of ground faults and short circuits in fire alarm systems had become an increasingly severe issue and began tracking the associated troubleshooting hours. Realizing that the problem stemmed from the use of standard electrical boxes, Bob designed and created an entirely new line of back-boxes which he named the 5 Square®. The patented 5 Square® Box (5" x 5" x 2.875") eliminates ground faults and short circuits at the appliance due to the added volume of the box and space around the perimeter of the appliance. The 5 Square® also dramatically reduces

stress on terminals resulting in fewer damaged appliances. In addition, a major fire signal manufacturer allows a full complement of conductors to be routed in the box per NEC Table 314.16(B). This allows additional circuits and zones to be pulled through the 5 Square®, potentially reducing conduit. All of these advantages tend to save contractors \$20 - \$30 per installed appliance.

RANDL's second generation of innovative products culminated in their 5 Square® Telecommunications Box. What makes the 5 Square® Telecom Box so special? In addition to the increased size and volume, which allows for slack cable/service loop in the box, the 5 Square® Telecom Box incorporates a cable management system guaranteeing minimum bend radius as required by cable manufacturers. Historically, infringement of cable bend radii was not an issue, but due to current and future transmission rate increases, bend radius observance is now very critical. The 5 Square® Telecom Box supports categories 5e, 6, Augmented 6, 7, Augmented 7, and optical fiber cables as well as expected future generations of

cable sizes. Slack cable/service loop in the box reduces labor during installation as well as future maintenance labor which further increases cost savings.

Due to the value added benefits and related cost savings of the 5 Square® products many engineering firms, universities, hospitals, and government agencies have become avid proponents and specifiers of the products.

The 5 Square® Boxes have a complementary line of plaster rings that adapt from 5 Square® to 4 square and from 5 Square® to standard 1 and 2 gang openings in depths from flat up to 2 inches. There is also an adapter from 5 Square® to 4-11 for mounting fire alarm zone modules.

**Create a Robust and Unrivaled Infrastructure for the Life of your Facility with the 5 Square® Products!**

For more information on the 5 Square® Products please contact us at (509) 340-0050 or sales@randl-inc.com. You can also learn more at www.randl-inc.com. Thank you for choosing RANDL Industries, Inc. □

**Avoid the dangers of foreign knock-offs and only buy American Made RANDL products!**



**Install Peace of Mind!**

First there was 4 square...  
and now the **REVOLUTIONARY 5 Square® Box!!**

You've struggled with 4 Square boxes for years - you know how small, cramped and time consuming they are. Finally, there is a solution that allows you the space you have always needed.

The 5 Square® Boxes (5" x 5" x 2-7/8") provide up to 88 in<sup>3</sup> of interior volume which more than doubles that of most existing boxes on the market.

Create a robust and unrivaled infrastructure for the life of your facility with the 5 Square® Products!

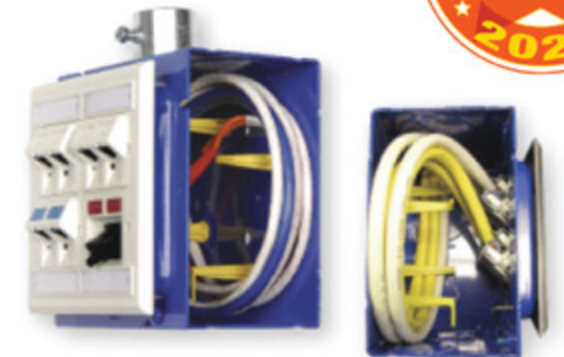


## Fire Signal



- TWICE THE VOLUME AS MOST BOXES
- SAVE LABOR...INCREASE PROFITS
- ELIMINATES TROUBLESHOOTING TIME AND COST
- FULLY UPGRADEABLE SYSTEM
- SPECIFIED BY ENGINEERING FIRMS, HOSPITALS, UNIVERSITIES & GOVERNMENT AGENCIES
- AVAILABLE IN ZINC OR RED

## Telecommunications



- INTEGRAL CABLE MANAGEMENT
- SAVE LABOR...INCREASE PROFITS
- FACILITATES MIN. BEND RADIUS REQUIREMENTS
- SUPPORTS CURRENT AND EVOLVING SYSTEMS
- SUPPORTS PoE PLUS
- SPECIFIED BY ENGINEERING FIRMS, HOSPITALS, UNIVERSITIES & GOVERNMENT AGENCIES



P: 509.340.0050 • F: 509.340.0051

See our line of telecom & fire signal boxes at: [www.RANDL-INC.com](http://www.RANDL-INC.com)

*Making Communications & Fire Protection More Reliable & Cost-Effective!*



# RHINO

SWITCHBOARD MATS

## FUSEBOX SAFETY MAT™

*Rhino Switchboard Mats For The "If" in Life.*

Easily carried to job or construction sites, Fusebox Safety Mat™ by Rhino provides portable insulation when working in close proximity to exposed energized equipment, around substations, transformers, switches, electrical panels, or high-voltage equipment. Fusebox Safety Mat™ should be used in any area where Health and safety risk assessment shows a possibility of high-voltage shock.

### *Safety Focused. Results Driven*

Rubber-insulating gloves, insulated hand tools, and switchboard-insulating mats are vital components of a successful PPE system. All should be used in conjunction with engineering safeguards and associated work practices.

### *Quality You Can Count On*

Tested to ASTM D178/ANSI J6.7 specifications with certification printed on the back.

**Extreme-Duty Series Class 4**  
1/2" thick Corrugated Surface  
Test Voltage 50,000 VAC  
Proof Test 40,000 VAC  
Recommended 36,000 VAC

All are tested to  
ASTM D178/ANSI J6.7 specifications  
with certification printed on the back.  
Two sizes available  
2ft X 3ft and 3ft X 3ft,  
Two thicknesses  
1/2" and 1/4"

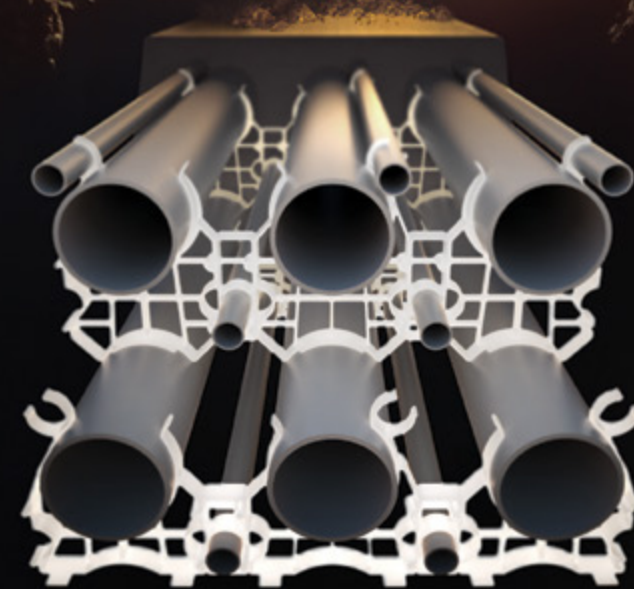
**Heavy-Duty Series Class 2**  
1/4" thick Diamond Surface  
Test Voltage 30,000 VAC  
Proof Test 20,000 VAC  
Recommended 17,000 VAC

Available at Electrical and  
Safety Supply Houses  
and Home Depot online or Contact us at  
713-228-5543 / Info@rhinomats.com  
[www.rhinoswitchboardmats.com](http://www.rhinoswitchboardmats.com)



THE SECRET TO

# UNDERGROUND POWER TRANSMISSION



OUR WUNPEECE TRANSMISSION SPACERS REDEFINE THE INDUSTRY STANDARD FOR UNDERGROUND POWER TRANSMISSION INSTALLATIONS. WITH PRECISION ENGINEERING AND UNMATCHED QUALITY,

JOIN THE RANKS OF INDUSTRY LEADERS WHO TRUST UNDERGROUND DEVICES FOR THEIR POWER TRANSMISSION NEEDS.



VISIT [WWW.UDEVICES.COM](http://WWW.UDEVICES.COM)

AND EXPERIENCE THE FUTURE OF UNDERGROUND POWER INSTALLATION

# “Proud to be the Installers’ Friend” DO JOBS SAFER - BETTER - FASTER



**WE BEGAN IN 1966** based on more than just making a fair profit. S-P Products Inc’s philosophy and dedication to making valid contributions to the industry began with “Econo-Whips”; no-center stop couplings and prefabricated assemblies. Our first whip machine we produced was in 1969; any size, length, steel or aluminum flexible conduit, MC Cable, Liquidite, Cord Romex, etc., with any type connectors attached. Then we moved to wire harnessing by innovating industry with “one pull and you’re done” concept thus minimizing waste and increasing efficiency. We moved on with our UL Listed Qwik Duct templates meeting job and engineer specifications on many high profile jobs throughout the country.

Safer-Better-Faster jobs and provide opportunities with fair compensation for current and future generations in this country.

We develop and promote products that accomplish these goals and are proud to being the electrician’s friend by providing them the satisfaction of making valuable contribution to the industry and receiving fair compensation for their ideas. We also provide excellent quality and service at competitive pricing.

Our motto is to care for our country, industry and electricians by encouraging everyone to buy and install quality Made in the U.S.A. innovative products for

S-P Products provides labor saving devices and products to ease electrical



**Our motto is to care for our country, industry and electricians by encouraging everyone to buy and install quality Made in the U.S.A.**

construction projects.

Products like EZ PULL EZ READ Wire Harnesses, Qwik Duct Templates, Transition Fittings, Conduit and Box Support Plates and Trapeze Brackets are some of our high quality, innovative products providing certifications and meeting industry standards .

Many of our products have been invented by experienced electricians. We are very proud of being a dedicated NJATC Training partner, striving to improve our industry any way possible.

Our manufacturing facilities help keep electricians off the bench and good paying jobs in our country.

Think of us as your Prefab shop to meet all high demand requirements and fast paced projects by bidding quicker and securing more jobs.

Visit us at [www.spproducts.com](http://www.spproducts.com) or call us 1-800-233-8595 with your IDEAS, inquiries and we will be your partner on your road to success. □

# S-P PRODUCTS, INC.

*Productivity and value thru ideas*  
**FOR SAFER BETTER FASTER JOBS**

*We're Proud to be the Electricians' Friend for Over 50 Years!*

**IP15a**  
**Chamfer Bit**  
for PVC SCH 40/80

PATENT PENDING  
Smooth Beveled Edge after Chamfering

**IP27b**  
**Electro Post EP-10**  
Box Support Bracket

Mounts on all standard stud widths of 2-1/2", 3-5/8" or 6"  
PATENT PENDING

**IP15b**  
**Chamfer Bit**  
for Aluminum EMT

PATENT PENDING  
Smooth Beveled Edge after Chamfering

**NEW PRODUCTS**

**IP7**

**4-WAY CONDUIT & BOX SUPPORT PLATE**  
with Split Fingers for Horizontal or Vertical Installation

Use 4-Conduit Block (IP19 or IP20) with QwikBlock (IP21a)

**IP21a**  
QwikBlock

PATENT PENDING

**IP19/20**  
4-Conduit Block

PATENTED

**PVC Running Thread SCH 40/80**  
Up to 30" Long

PATENT PENDING

**IP3d**

**NEW Transition Fittings**  
Saves a Great Deal of Time Repairing Conduit  
The Inside Diameter Remains the Same  
Allows for Trouble Free Wire and Cable Pulls

**IP13p**  
3/4" MC Cable to PVC

**IP13k**  
Inside PVC to Inside PVC

**IP13q**  
PVC Reducer

**Male Threaded PVC Offset**

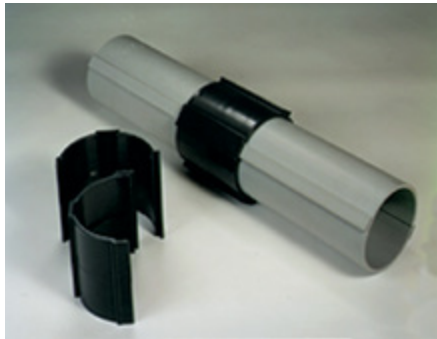
**IP3c**

1/2" thru 3" Offset for Conduit Sizes 1/2" thru 6"

PATENT PENDING

*Plus More Being Invented for SAFER BETTER FASTER Jobs . . . Call With Your Ideas!*

# Conduit Repair Systems, Inc.



**T**he old saying, “necessity is the mother of all inventions” holds true for Conduit Repair Systems, Inc. Our split conduit products were originally designed and developed by a cable TV technician and his father-in-law that worked as an engineer. The technician found that he needed a repair product that truly restored damaged PVC pipe to its original state. The technician did some research and found that what he needed didn’t exist at the time. The two men then developed our patented snap together split conduit products. Since the early days of the company, many additional applications for the products have since been discovered including enclosing exposed cables, relocating aerial lines to underground, enclosing cables on bridges, protecting cables on telephone poles, enclosing fiber optics, and relocating cables along roads.

Conduit Repair Systems, Inc. formally began business operations in 1995 and has seen exponential growth ever since. Our company is headquartered in St. George, Utah, which is located about 100

miles North East of Las Vegas, Nevada along Interstate 15. The company chose St. George because of its reputation as the “Palm Springs” of Utah. The warm weather, the world-class golf courses, combined with a very qualified work force made the selection to locate in St. George very easy. Over the past thirteen years Conduit Repair Systems, Inc. has become the world-leading manufacturer of split conduit products. Conduit Repair Systems manufactures split conduit, split couplings, split sweeps, and other related split conduit products specifically designed for electrical, cable TV, and communications applications.

CRS offers its products in a variety of sizes including 1 inch, 1 ¼ inch, 1 ½ inch, 2 inch, 2 ½ inch, 3 inch, 4 inch, 5 inch, and 6 inch.

Conduit Repair Systems, Inc. executive staff consists of highly qualified professionals. The President of the company, David Clove, is a CPA and is also a former Finance Manager for Arizona Public Service. Our National Sales Manager, Paul McMullin, brings twenty years of industry sales experience to the company. All of our manufacturing personnel also have many years of professional experience in the plastics industry.

CRS currently services public utilities, rural electric associations and co-ops, cable TV companies, telephone companies, and electrical contractors through a wide range of distributors located throughout the United States, Canada, Mexico, Japan, Europe, and the Middle East.

If you would like more information regarding our company you can obtain additional information at our website located on the Internet at [www.conduitrepair.com](http://www.conduitrepair.com).

We believe that no one helps you repair or protect your underground distribution or cable network like

Conduit Repair Systems, Inc.! □

# REPAIR CONDUIT IN A SNAP!

No Tape • No Plastic Straps • No Metallic Straps

## NO KIDDING!

*Designed especially for power, communications and fiber optics.*



*“The World Leader In Split Conduit Products”*



**Conduit Repair Systems, Inc.**

The World Leader In Split Conduit Products



**BUSINESS SOFTWARE**

**DOVE NET TECHNOLOGIES, LLC**  
9126 Travener Circle, Suite 100  
Frederick, MD 21704  
800.355.8302  
[www.dovenet.com](http://www.dovenet.com)

**GROUNDING EQUIPMENT**

**CONTINENTAL INDUSTRIES**  
1140 North 129th East Ave.  
Tulsa, OK 74116  
800.558.1373  
[www.thermoweld.com](http://www.thermoweld.com)

**ERICO INC.**  
34600 Solon Road  
Solon, OH 44139  
440.248.0100  
800.853.0874 (fax)  
[www.erico.com](http://www.erico.com)

**ITOOOCO**  
1325 Carden Farm Drive  
Clinton, TN 37916  
865.670.3713  
[www.itoolco.com](http://www.itoolco.com)

**HAND TOOLS**

**KING INNOVATION**  
N85 W12545 Westbrook Crossing  
Menomonee Falls, WI 53051  
262.293.0600  
[www.kinginnovation.com](http://www.kinginnovation.com)

**MILWAUKEE ELECTRIC TOOL**  
1024 Pine Hall  
Mathews, VA 23109  
262.790.6334  
[www.milwaukeetool.com](http://www.milwaukeetool.com)

**PHOENIX CONTACT USA INC**  
586 Fulling Mill Road  
Middletown, PA 17057  
800.888.7388  
[www.phoenixcontact.com](http://www.phoenixcontact.com)

**PLATINUM TOOLS**  
606 Calle Plano  
Camarillo, CA 93012  
805.384.2777  
[www.platiumtools.com](http://www.platiumtools.com)

**SP PRODUCTS INC**  
730 Pratt Blvd.  
Elk Grove, IL 60007  
800.233.8595  
[www.spproducts.com](http://www.spproducts.com)

**LIGHTING & CONTROLS**

**BARRON LIGHTING GROUP**  
7885 N. Glen Harbor Blvd  
Glendale, AZ 85307  
800.533.3948  
[www.barronltg.com](http://www.barronltg.com)

**BERGEN INDUSTRIES**  
N85 W12545 Westbrook Crossing  
Menomonee Falls, WI 53051  
262.293.0600  
[www.bergeninc.com](http://www.bergeninc.com)

**BREX LIGHTING**  
1601 Wilmeth Rd.  
McKinney, TX 75069  
877.273.9533  
[www.brexlighting.com](http://www.brexlighting.com)

**CONTRACTOR LIGHTING & SUPPLY**  
1213 Etna Pkwy.  
Pataskala, OH 43062  
833.446.7100  
[www.contractorlighting.com](http://www.contractorlighting.com)

**COST LESS LIGHTING**  
1213 Etna Pkwy.  
Pataskala, OH 43062  
833.504.9980  
[www.costlesslighting.com](http://www.costlesslighting.com)

**DABMAR LIGHTING**  
2140 Eastman Ave.  
Oxnard, CA 93030  
805.604.9090  
[www.dabmar.com](http://www.dabmar.com)

**DOUGLAS LIGHTING CONTROLS**  
4455 Juneau St.  
Burnaby, BC V5C 4G4  
604.873.2797  
[www.douglaslightingcontrols.com](http://www.douglaslightingcontrols.com)

**EMERSON / APPLETON**  
9377 West Higgins Road  
Rosemont, IL 60018  
800.621.1506  
[www.appletonelec.com](http://www.appletonelec.com)

**EMIUM LIGHTING**  
451 Oakwood Rd  
Lake Zurich, IL 60047  
224.735.3435  
[www.emium.com](http://www.emium.com)

**EVLUMA**  
3600 Lind Ave SW, Suite 140  
Renton, WA 98057  
425.336.5800  
[www.evluma.com](http://www.evluma.com)

**FOCAL POINT**  
4141 S. Pulaski Road  
Chicago, IL 60632  
773.247.9494  
[www.focalpointlights.com](http://www.focalpointlights.com)

**GRIPLOCK SYSTEMS, LLC**  
1029 Cindy Lane  
Carpinteria, CA 93013  
805.566.0064  
[www.griplocksystems.com](http://www.griplocksystems.com)

**GRIPLOCK SYSTEMS, LLC**  
793 Duncan Reidville Road  
Duncan, SC 29334  
805.566.0064  
[www.griplocksystems.com](http://www.griplocksystems.com)

**HYLITE LED LIGHTING**  
911 East White St.  
Rock Hill, SC 29730  
803.336.2230  
[www.hyliteledlighting.com](http://www.hyliteledlighting.com)

**NEXLIGHT**  
1355 Mendota Heights rd.  
Mendota Heights, MN 55120  
651.457.800  
[www.nexlight.com](http://www.nexlight.com)

**PHILIPS LIGHTING**  
200 Franklin Square Drive  
Somerset, NJ 08875  
732.563.3039  
732.563.3325 (fax)  
[www.lighting.philips.com](http://www.lighting.philips.com)

**REDBIRD LED, INC**  
1202 GAIL DR NE  
BROOKHAVEN, GA 30319  
678.733.2473  
[www.redbirdled.com](http://www.redbirdled.com)

**SP PRODUCTS INC**  
730 Pratt Blvd.  
Elk Grove, IL 60007  
800.233.8595  
[www.spproducts.com](http://www.spproducts.com)

**SYLVANIA OSRAM**  
1.800.LIGHTBULB  
[www.osram-america.com/retrofits](http://www.osram-america.com/retrofits)

**TCP INC.**  
325 Campus Drive  
Aurora, OH 44202  
330.995.1384  
[www.Tcpi.com](http://www.Tcpi.com)

**TENMAT INC.**  
23 Copper Drive, Unit 3  
Newport, DE 19804  
800.821.3436  
[www.tenmatusa.com](http://www.tenmatusa.com)

**TOPAZ**  
925 Waverly Ave.  
Holtsville, NY 11742  
800.666.2852  
[www.topaz-usa.com](http://www.topaz-usa.com)

**UNIVERSAL LIGHTING TECHNOLOGIES INC.**  
26 Century Blvd., Suite 500  
Nashville, TN 37214-3683  
800.BALLAST  
[www.universalballast.com](http://www.universalballast.com)

**VOLT LIGHTING**  
15486 N. Nebraska Ave.  
Lutz, FL 33549  
813.978.3900  
[www.voltlighting.com](http://www.voltlighting.com)

**VOLTEC POWER & LIGHTING**  
13885 Ramona Ave  
Chino, CA 91710  
800.486.5832  
[www.voltecpowerlighting.com](http://www.voltecpowerlighting.com)

**WATT STOPPER / LEGRAND**  
2800 De La Cruz Blvd.  
Santa Clara, CA 95050  
800.875.8585  
408.988.5373 (fax)  
[www.wattstopper.com](http://www.wattstopper.com)

**MISCELLANEOUS**

**ECM INDUSTRIES**  
N85 W12545 Westbrook Crossing  
Menomonee Falls, WI 53051  
262.293.0600  
[www.ecmindustries.com](http://www.ecmindustries.com)

**KRENZ & COMPANY**  
PO Box 187  
Germantown, WI 53022-0187  
262.255.2310  
[www.krenzvent.com](http://www.krenzvent.com)

**PHOENIX CONTACT USA INC**  
586 Fulling Mill Road  
Middletown, PA 17057  
800.888.7388  
[www.phoenixcontact.com](http://www.phoenixcontact.com)

**RANCO INDUSTRIES, INC**  
3421 Rusk St  
Houston, TX 77003  
713.228.5543  
[www.rhinomats.com](http://www.rhinomats.com)

**RUNTAL NORTH AMERICA**  
187 Neck Rd  
Ward Hill, MA 01835  
800.526.2621  
[www.runtalnorthamerica.com](http://www.runtalnorthamerica.com)

**POWER QUALITY**

**CONTINENTAL CONTROL SYSTEMS, LLC**  
3131 Indian Rd. Suite A  
Boulder, CO 80301  
888.928.8663  
303.444.2903 (fax)  
[www.wattnode.com](http://www.wattnode.com)

**EMERSON / SOLAHD**  
9377 West Higgins Road  
Rosemont, IL 60018  
800.621.1506  
[www.Emerson.com/SolaHD](http://www.Emerson.com/SolaHD)

**GENERAC POWER SYSTEMS**  
PO Box 8  
Waukesha, WI 53187  
262.544.4811  
262.968.6940 (fax)  
[www.generac.com](http://www.generac.com)

**GENERATOR INTERLOCK TECHNOLOGIES**  
3107 Lanvale Ave.  
Richmond, VA 23230  
804.726.2448  
804.231.1984 (fax)  
[www.interlockkit.com](http://www.interlockkit.com)

**MINUTEMAN UPS**  
1455 Lemay Drive  
Carrollton, TX 75007  
972.446.7363  
972.446.9011 (fax)  
[www.minutemanups.com](http://www.minutemanups.com)

**MITSUBISHI ELECTRIC**  
Power Products  
530 Keystone Dr.  
Warrendale, PA 15086  
724.778.3165  
[www.meppi.com](http://www.meppi.com)

**RONK ELECTRICAL INDUSTRIES**  
P.O. Box 160  
Nokomis, IL 62075-0160  
800.221.7665  
[www.ronkelectrical.com](http://www.ronkelectrical.com)

**TOSHIBA INTERNATIONAL**

13131 West Little York Rd.  
Houston, TX 77041  
713.466.0277  
[www.tic.toshiba.com](http://www.tic.toshiba.com)

**UNIVERSAL ELECTRIC CORP.**

168 Georgetown Road  
Canonsburg, PA 15317  
800.245.6378  
[www.uecorp.com](http://www.uecorp.com)

**SAFETY & TRAINING**

**AMERICAN TECHNICAL PUBLISHERS INC.**

10100 Orland Pkwy. Ste 200  
Orland Park, IL 60467  
800.323.3471  
708.957.1101 (fax)  
[www.americantech.net](http://www.americantech.net)

**AVO TRAINING INSTITUTE**

4271 Bronze Way  
Dallas, TX 75237  
877.714.9787  
[www.avotraining.com](http://www.avotraining.com)

**CALIFORNIA TURBO, INC.**

10721 Business Dr.  
Fontana, CA 92337  
800.448.1446  
[www.californiaturbo.com](http://www.californiaturbo.com)

**GEAR ARC SAFETY**

600 Sandau Road  
San Antonio, TX 78216  
210.248.9107  
[www.geararcsafety.com](http://www.geararcsafety.com)

**HERCULES INDUSTRIES INC.**

P.O. Box 197  
Prospect, OH 43342  
800.345.2590  
740.494.2274 (fax)  
[www.herculock.com](http://www.herculock.com)

**MILLER SAFETY CONSULTANTS, LTD**

P.O. Box 386  
Manassas, VA 20108  
703.367.0404  
[www.electricalsafetysupply.com](http://www.electricalsafetysupply.com)

**RANDL INDUSTRIES**

P.O. Box 14319  
Spokane WA 99214-0319  
509.340.0050  
509.340.0051 (fax)  
[www.RANDL-INC.com](http://www.RANDL-INC.com)

**RECTORSEAL**

2601 Spenwick  
Houston, TX 77055  
713.263.8001  
713.263.7577 (fax)  
[www.rectorseal.com](http://www.rectorseal.com)

**SP PRODUCTS INC**

730 Pratt Blvd  
Elk Grove, IL 60007  
800.233.8595  
[www.spproducts.com](http://www.spproducts.com)

**TG INDUSTRIES INC.**

1821 Highway 15 South  
Armstrong, IA 50514  
712.864.3737  
[www.armlift.com](http://www.armlift.com)

**SOLAR POWER**

AllEarth Renewables, Inc.  
94 Harvest Ln.  
Williston, VT 05495  
802.972.9600  
[www.allearthrenewables.com](http://www.allearthrenewables.com)

**NABCEP**

56 Clifton County Rd. Ste. 202  
Clifton Park, NY 12065  
518.289.4859  
[www.nabcep.org](http://www.nabcep.org)

**POWER ONE**

3201 East Harbour Dr  
Phoenix, AZ 85034  
[www.power-one.com](http://www.power-one.com)

**QUICK MOUNT PV**

2700 Mitchell Dr., Bldg 2  
Walnut Creek, CA 94598  
925.687.6686  
[www.quickmountpv.com](http://www.quickmountpv.com)

**SCHNEIDER ELECTRIC /**

Renewable Energies  
132 Fairgrounds Rd.  
West Kingston, RI 02892  
[www.xantrex.com](http://www.xantrex.com)

**SEPCO**

1521 SE Palm Court  
Stuart, FL 34997  
772.220.6615  
[www.Sepconet.com](http://www.Sepconet.com)

**SP PRODUCTS INC**

730 Pratt Blvd  
Elk Grove, IL 60007  
800.233.8595  
[www.spproducts.com](http://www.spproducts.com)

**TESTING EQUIPMENT**

**ADVANCED TEST EQUIPMENT**

10401 Roselle St.  
San Diego, CA 92121  
888.554.2832  
[www.atecorp.com](http://www.atecorp.com)

**AEMC INSTRUMENTS**

15 Faraday Drive  
Dover, NH 03820  
800.343.1391  
[www.aemc.com](http://www.aemc.com)

**ALFRA USA LLC**

120 Prairie Lake Road Unit B  
East Dundee, IL 60118  
847.844.8900  
[www.alfra-tools.com](http://www.alfra-tools.com)

**AMPROBE**

Everett, WA 98203  
877.AMPROBE (267.7623)  
[www.amprobe.com](http://www.amprobe.com)

**DRANETZ-BMI**

1000 New Durham Road  
Edison, NJ 08818  
800.372.6832  
732.248.1834 (fax)  
[www.dranetz-bmi.com](http://www.dranetz-bmi.com)

**EXTECH INSTRUMENTS/  
FLIR SYSTEMS**

9 Townsend West  
Nashua, NH 03063  
866.477.3687  
[www.flir.com](http://www.flir.com)

**HIOKI USA**

6 Corporate Dr.  
Cranbury, NJ 08512  
609.409.9109  
609.409.9108 (fax)  
[www.hiokiusa.com](http://www.hiokiusa.com)

**IDEAL INDUSTRIES INC.**

Becker Place  
Sycamore, IL 60178  
815.895.1190  
815.899.7712 (fax)  
[www.ideal@idealindustries.com](http://www.ideal@idealindustries.com)

**MEGGER**

2621 Van Buren Ave.  
Norristown, PA 19403  
610.676.8500  
610.676.8610 (fax)  
[www.megger.com](http://www.megger.com)

**MITCHELL INSTRUMENTS**

1570 Cherokee St.  
San Marcos, CA 92078  
888.270.2690  
800.648.2411 (fax)  
[www.mitchellinstruments.com](http://www.mitchellinstruments.com)

**POWER PRODUCTS LLC**

N 86 W 12500 Westbrook Crossing  
Menomonee Falls, WI 53051  
262.293.1500  
[www.actuant.com](http://www.actuant.com)

**REDFISH INSTRUMENTS INC.**

911 Laurent Street  
Santa Cruz, CA 95060  
831.423.7400  
[www.redfishinstruments.com](http://www.redfishinstruments.com)

**RELIABLE POWER METERS,  
A FLUKE COMPANY**

400 Blossom Hill Road  
Los Gatos, CA 95032  
800.334.3666 • 215.752.3094  
[www.reliablemeters.com](http://www.reliablemeters.com)

**SONEL TEST &  
MEASUREMENT INC.**

3350 Scott Blvd., Bldg 55 Unit 1  
Santa Clara, CA 95054  
408.898.2215  
[www.soneltest.com](http://www.soneltest.com)

**SPERRY INSTRUMENTS**

N85 W12545 Westbrook Crossing  
Menomonee Falls, WI 53051  
262.293.0600  
[www.sperryinstruments.com](http://www.sperryinstruments.com)

**SUMMIT TECHNOLOGY, INC.**

2246 Monument Blvd.  
Pleasant Hill, CA 94523  
925.944.1212  
925.944.7126 (fax)  
[www.powersight.com](http://www.powersight.com)

**T3 INNOVATION**

808 Calle Plano  
Camarillo, CA 93012  
805.233.3390  
805.283.4507 (fax)  
[www.t3innovation.com](http://www.t3innovation.com)

**THOMAS & BETTS CORP.**

8155 T&B Boulevard  
Memphis, TN 38125  
800.888.0211  
901.252.1347 (fax)  
[www.tnb.com](http://www.tnb.com)

**TIMCO INSTRUMENTS, LLC**

P.O. Box 100  
Rockville, RI 02873  
401.539.7120  
[www.timcoinstruments.com](http://www.timcoinstruments.com)

**TOSHIBA INTERNATIONAL CORP.**

13131 W. Little York Road  
Houston, TX 77041  
800.231.1412  
713.896.5212 (fax)  
[www.tic.toshiba.com](http://www.tic.toshiba.com)

**UEI TEST INSTRUMENTS**

8625 SW Cascade Ave, Suite 550  
Beaverton, OR 97008  
800.547.5740  
[www.ueitest.com](http://www.ueitest.com)

**WIRE & CABLE**

**AFC CABLE SYSTEMS INC**

272 Duchaine Blvd.  
New Bedford, MA 02745  
800.757.6996  
508.998.1447 (fax)  
[www.afcweb.com](http://www.afcweb.com)

**AMERICAN CONNECTORS**

2006 Martin Luther King Freeway  
FT. Worth, TX 76104-6303  
817.535.6268  
[www.americanconnectoers.com](http://www.americanconnectoers.com)

**AMTEC PULLING GRIPS**

30 Center Street  
Plainfield, CT 05374  
860.230.0006  
[www.Amtecgrips.com](http://www.Amtecgrips.com)

**ATKORE INTERNATIONAL**

16100 S. Lathrop Ave.  
Harvey IL 60426  
800.882.5543  
[www.atkore.com](http://www.atkore.com)

**AUTAC INC.**

25 Thompson Road  
Branford, CT 06471  
203.481.3444  
[www.autacusa.com](http://www.autacusa.com)

**BICSI**

8610 Hidden River Parkway  
Tampa, FL 33637  
800.242.7405  
813.903.4311 (fax)  
[www.bicsi.org](http://www.bicsi.org)

**BRIDGEPORT FITTINGS INC.**

705 Lordship Blvd.  
Stratford, CT 06615  
203.377.5944  
203.387.3488 (fax)  
[www.bptfittings.com](http://www.bptfittings.com)

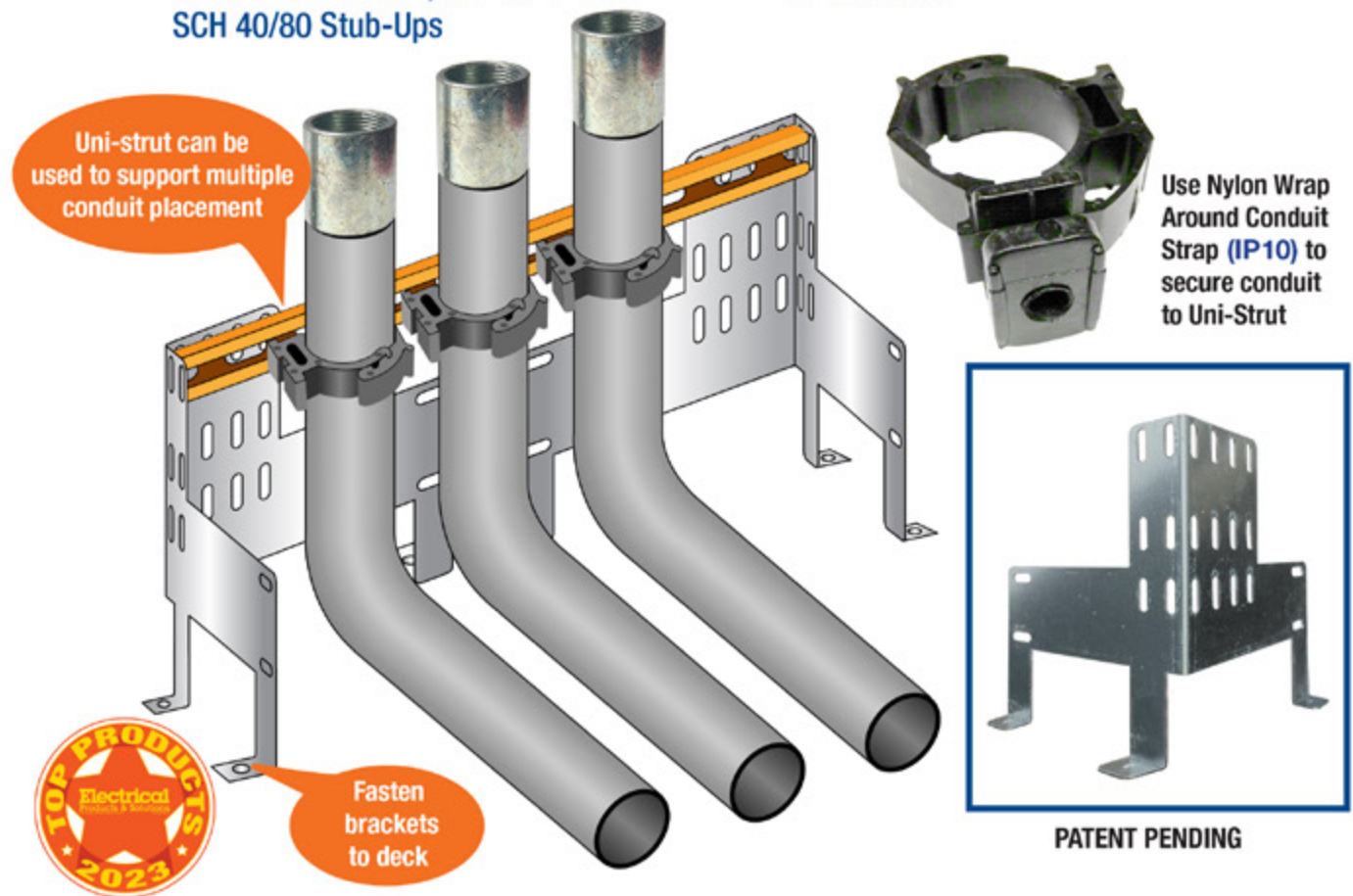


# EZ Stub-Up SUPPORT BRACKET

- Support and secure multiple conduits and sizes with brackets and/or uni-strut at a single stub-up location
- Use nylon wrap around conduit straps, minerllacs, one-hole straps or Ty wraps to secure conduit to bracket or uni-strut
- 16 guage galvanized steel
- SUITABLE FOR 1/2", 3/4" or 1" PVC SCH 40/80 Stub-Ups

**INSTALLATION:**

1. Position bracket on deck before the concrete pour
2. Fasten bracket to deck
3. Secure conduit to bracket or uni-strut with nylon wrap around conduit straps, minerllacs, one-hole straps or Ty wraps
4. Pour slab



2023 NECA  
**Show Stopper**  
 WINNER



**Perfect for Poured Precast Decks!**



PATENT PENDING  
 PATENTED

LABELS APPLY TO PRODUCTS ONLY WHERE SHOWN ABOVE



**CONDUIT REPAIR SYSTEMS**

761 East Enterprise Dr., Unit 1  
St. George, UT 84790  
800.670.1804  
[www.conduitrepair.com](http://www.conduitrepair.com)

**CONDUX INTERNATIONAL**

145 Kingswood Drive  
Mankato, MN 56001  
800.533.2077  
507.387.1442 Fax  
[www.condux.com](http://www.condux.com)

**CONNECTRAC**

1350 Manufacturing St. Ste. 203  
Dallas, TX 75207  
877.480.5637  
866.403.8532 (fax)  
[www.connectrac.com](http://www.connectrac.com)

**ELECDIRECT.COM LLC**

9-6311 Inducon Corporate Drive  
Sanborn, NY 14132  
800.701.0975  
[www.elecDirect.com](http://www.elecDirect.com)

**ELECTRI-FLEX**

222 West Central Ave.  
Roselle, IL 60172-1994  
800.323.6174  
[www.electriflex.com](http://www.electriflex.com)

**ENCORE WIRE**

1329 Millwood Road  
McKinney, TX 75069  
972.562.9473  
800.782.6475 (fax)  
[www.encorewire.com](http://www.encorewire.com)

**FIBER SOLUTIONS INC.**

17740 Hoffman Way  
Homewood, IL 60430  
800.743.4237  
708.206.1575 (fax)  
[www.fsifiber.com](http://www.fsifiber.com)

**GARDNER BENDER**

N85 W12545 Westbrook Crossing  
Menomonee Falls, WI 53051  
262.293.0600  
[www.gardnerbender.com](http://www.gardnerbender.com)

**GENERAL CABLE**

4 Tesseneer Drive  
Highland Heights, KY 41076  
859.572.8000  
[www.generalcable.com](http://www.generalcable.com)

**GENSCO**

53 Carlaw Ave.  
Toronto, Ontario, CN M4M2R6  
416.465.7521  
[www.genscoequipment.com](http://www.genscoequipment.com)

**GREAVES CORP**

30 Industrial Park Rd.  
Centerbrook, CT 06409  
800.243.1130  
[www.greaves-usa.com](http://www.greaves-usa.com)

**HITACHI CABLE  
MANCHESTER INC.**

900 Holt Ave.  
Manchester, NH 03109  
603.669.4347  
603.669.9621 (fax)  
[www.hcm.hitachi.com](http://www.hcm.hitachi.com)

**ICC**

14700 Alondra Blvd.  
La Mirada, CA 90638  
888.ASK.4.ICC  
562.356.3100 (fax)  
[www.icc.com](http://www.icc.com)

**IPEX USA**

1055 Wilton Grove Rd.  
London, Ontario N6N 1C9  
800.463.9572  
[www.ipexna.com](http://www.ipexna.com)

**ITOOOCO**

1325 Carden Farm Drive  
Clinton, TN 37916  
865.670.3713  
[www.itoolco.com](http://www.itoolco.com)

**ITW BUILDEX**

13249 W. Bryn Mawr Ave.  
Itasca, IL 60143  
800.323.0720  
630.595.3569 (fax)  
[www.sammysuperscrew.com](http://www.sammysuperscrew.com)

**KEYSTONE ELECTRONICS  
CORPORATION**

55 South Denton Ave  
New Hyde Park, NY 11040  
800.221.5510  
[www.keyelco.com](http://www.keyelco.com)

**KIST CORP.**

1229 Capital Drive  
Addison, IL 60101  
630.332.5223  
[www.kistcorp.com](http://www.kistcorp.com)

**K-SUN CORP.**

370 SMC Drive  
Somerset, WI 54025  
800.622.6312  
[www.ksun.com](http://www.ksun.com)

**KOLBI PIPE MARKER CO.**

416 Campus Dr.  
Arlington Heights, IL 60004  
800.499.8450  
800.596.3057 (fax)  
[www.kolbipipemarkers.com](http://www.kolbipipemarkers.com)

**KRALOY FITTINGS**

1055 Wilton Grove Rd  
London, Ontario N6N 1C9  
800.265.1815  
[www.kraloyfittings.com](http://www.kraloyfittings.com)

**KUIKBOX**

42906 Colony Rd  
Olivet, SD 57052  
605.630.1609  
[www.kuikbox.com](http://www.kuikbox.com)

**MAXIS**

4838 E. Baseline Rd. Ste.131  
Mesa, AZ 85206  
888.266.2947  
480.633.9114 (fax)  
[www.maxis-tools.com](http://www.maxis-tools.com)

**NATIONAL WIRE & CABLE**

136 San Fernando Rd.  
Los Angeles, CA 90031  
714.778.5336  
[www.nationalwire.com](http://www.nationalwire.com)

**NIEDAX-KLEINHUIS USA, INC.**

7545 Pingue Drive  
Worthington, OH 43085  
614.888.3331  
614.888.0462 (fax)  
[www.kleinhuis.com](http://www.kleinhuis.com)

**PARTEX MARKING SYSTEMS**

1155 North Main St.  
Lombard, IL 60148  
630.516.0400  
[www.partexmarker.com](http://www.partexmarker.com)

**PLATINUM TOOLS**

668 Flinn Ave. Unit 21  
Moorpark, CA 93021  
805.384.2777  
[www.platiumtools.com](http://www.platiumtools.com)

**POWER & TEL**

2673 Yale Ave.  
Memphis, TN 38112  
800.451.4381  
[www.ptsupply.com/quick-pull](http://www.ptsupply.com/quick-pull)

**RANDL INDUSTRIES**

P.O. Box 14319  
Spokane, WA 99206  
509.340.0050  
[www.randl-inc.com](http://www.randl-inc.com)

**REGAL MANUFACTURING**

900 S. Ajax Ave.  
Industry, CA 91748  
626.964.6531  
626.964.3964 (fax)  
[www.regalfittings.com](http://www.regalfittings.com)

**THE SIEMON COMPANY**

27 Siemon Company Drive  
Watertown, CT 06795  
860.945.4200  
[www.siemon.com](http://www.siemon.com)

**SILTEC USA, INC**

11604 Airport Rd  
Everett, WA 98204  
425.328.1006  
[www.siltec.us](http://www.siltec.us)

**SLABACH ENTERPRISES**

2148 Highway 22  
Kalona, IA 52247  
319.656.2226  
[www.slabach.com](http://www.slabach.com)

**SOKKIA**

16900 W. 118th Terrace  
Olathe, KS 66061  
800.4.SOKKIA  
[www.sokkia.com](http://www.sokkia.com)

**SOUTHWIRE CO.**

302 Rome St.  
Carrollton, GA 30117  
[www.southwire.com](http://www.southwire.com)

**SP PRODUCTS INC.**

730 Pratt Blvd.  
Elk Grove, IL 60007  
800.233.8595  
[www.spproducts.com](http://www.spproducts.com)

**STRIP-TEC**

3700 North Commerce  
FT. Worth, TX 76106  
817.386.2288  
[www.stripotec.com](http://www.stripotec.com)

**THOMAS & BETTS CORP.**

8155 T&B Boulevard  
Memphis, TN 38125  
800.888.0211 • 901.252.1347 (fax)  
[www.tnb.com](http://www.tnb.com)

**TOPAZ**

925 Waverly Ave.  
Holtsville, NY 11742  
800.666.2852  
[www.topaz-usa.com](http://www.topaz-usa.com)

**TRIPLETT / BYTE BROTHERS**

850 Perimeter Rd.  
Manchester, NH 03103  
800.TRIPLETT  
[www.triplett.com](http://www.triplett.com)

**UNDERGROUND DEVICES INC.**

420 Academy Dr  
Northbrook, IL 60062  
847.205.9000  
847.205.9004 (fax)  
[www.udevices.com](http://www.udevices.com)

**UNIQUE METAL SOLUTIONS**

P.O. Box 133  
Gray Summit, MO 63039  
866.481.8899  
[www.rocket-rack.com](http://www.rocket-rack.com)

**WAGO CORPORATION**

N120 W19129 Freistadt Road  
Germantown, WI 53022  
800.DIN.RAIL  
262.255.3232 (fax)  
[www.wago.com](http://www.wago.com)

**WEST PENN WIRE/CDT**

2833 W. Chestnut St.  
Washington, PA 15301  
724.222.7060  
724.222.6420 (fax)  
[www.westpenn-cdt.com](http://www.westpenn-cdt.com)

**WIREGUARD, INC.**

P.O. Box 515  
Kimberling City, MO 65656  
417.447.2940  
417.739.9288 (fax)  
[www.wireguardinc.com](http://www.wireguardinc.com)

**THE WIREMOLD COMPANY**

60 Woodlawn St.  
West Hartford, CT 06110  
800.621.0049  
860.232.2062 (fax)  
[www.wiremold.com](http://www.wiremold.com)

**ADDITIONAL DISTRIBUTORS**

**EMERGI-LITE  
(A THOMAS & BETTS CO.)**

1811 Hymus Blvd.  
Dorval, Quebec H9P 1J5  
Canada  
866.857.5711  
514.685.7389 (fax)  
[www.emergi-lite.com](http://www.emergi-lite.com)

**THE HOME DEPOT**

2455 Paces Ferry Rd.  
Atlanta, GA 30339  
[www.homedepot.com](http://www.homedepot.com)





### Precision Detection™ Smoke and Carbon Monoxide Alarms

Resideo, maker of BRK brand fire safety products, has introduced Precision Detection™ advanced sensing technology smoke and combination smoke and carbon monoxide alarms, which are designed and tested to provide early warning in the event of a home fire emergency, while also reducing nuisance alarms as the technology better differentiates non-threatening from threatening smoke.

For more information, visit [www.brkelectronics.com](http://www.brkelectronics.com)



### Milwaukee® Delivers Improved Power and Drives Professional Productivity

Driving innovation for the remodeling and carpentry professional, Milwaukee Tool delivers the second generation M12 FUEL™ 5-3/8" Circular Saw, providing the most power, in a compact size. Integrated with premium features for improved performance, this new compact circular saw offers increased jobsite productivity and unmatched portability in size and weight.

Driving best in class for performance, M12 FUEL™ 5-3/8" Circular Saw delivers quick work of ripping and cross-cutting sheet goods and dimensional lumber. The POWERSTATE™ Brushless Motor provides the power required for tough cutting applications, minimizing bog down through larger lumber to eliminate user frustrations. When paired with a M12™ REDLITHIUM™ HIGH OUTPUT™ XC5.0 battery pack, the compact circular saw can make up to 190 cuts per charge in 2X4 lumber providing maximum uptime on jobsites.

As the most compact and lightweight design in its class, Milwaukee's new circular saw delivers portability and convenience for cuts in smaller spaces, overhead, and when the capacity of a larger saw is not needed. Other premium features include an LED light for greater visibility, cut line blower for more accurate cuts and an integrated hang hook for greater storage solutions.

The new M12 FUEL™ 5-3/8" Circular Saw joins the M12™ Cordless System, the largest sub-compact system on the market, focused on delivering industry-leading durability and the ability to complete applications in the tightest spaces. Currently, the M12™ System is made up of more than 150 solutions.

\*M12 FUEL™ power tools are designed, engineered, and built to deliver extreme performance and productivity. All M12 FUEL™ products feature three Milwaukee®-exclusive innovations—the POWERSTATE™ Brushless Motor, REDLITHIUM™ Battery Pack and REDLINK PLUS™ Intelligence Hardware and Software—that deliver unmatched power, run-time and durability on the jobsite. Simply put, M12 FUEL™ tools are the most powerful sub-compact cordless tools in their class.

For more information, visit [www.milwaukeetool.com](http://www.milwaukeetool.com)

### High Bay Linear

*HLS Series - Controls Ready*

The HLS LED High Bay Linear Series offers industry leading efficacy (150lm/W), customizability with CCT select switch and scalability with a Wattage select model, for high ceiling applications such as warehouses, distribution centers, manufacturing facilities and big box retailers.

- CCT selectable 4000/5000K
- Wattage selectable on all models
- Lumen output: 12,000 - 60,000
- V-hooks and 40" knotted chain
- 10-year standard warranty

For more information, visit [www.maxlite.com](http://www.maxlite.com)



### Cementex Highlights Contractor Series of Arc Flash PPE Task Wear

*High quality, classic protection of personnel around energized equipment*

Cementex, the safety tool specialists, highlights the Cementex Contractor Series of Arc Flash Protective Clothing PPE, a simple option that does not sacrifice quality or safety. While still using premium USA labor and materials, Cementex offers Arc Flash Task Wear with reliable, classic protection for the safety of personnel in environments in and around energized equipment.

The Contractor Series provides a total system of arc-rated protective clothing with kits that include hood, hard hat, coats, pants, coveralls, ear canal hearing protection, and safety glasses or goggles, as well as optional gloves and hard hat liners or balaclavas as needed.

This PPE is available in 8 CAL/cm² and 40 CAL/cm² levels of protection and complies with the NFPA 70E® and CSA Z462 standards. It covers Category 1 and 2 with the 8 CAL/cm² and Category 3 and 4 with the 40 CAL/cm² for complete protection with minimal redundancy.

The 40 CAL/cm² Contractor Series of Arc Flash PPE Task Wear is compatible with an innovative ventilation system that ensures greater air circulation, provides cooling, reduces the risk of dehydration, and makes long-term wear easier and safer for users.

In addition to the Contractor Series of Arc Flash Protective Clothing PPE, Cementex also offers the Feature Series for the next level of comfort, safety, durability and protection and the UltraLite Series, with innovative design and materials for the lightest, most comfortable Arc Flash PPE Task Wear available. All Cementex PPE is made with USA labor and materials to ensure quality and peace of mind.



For more information, visit [www.cementexusa.com](http://www.cementexusa.com)


**advertiser**  
INDEX

This advertiser index is compiled as a courtesy to our readers. While every effort is made to provide a complete and accurate listing of companies and page numbers, the publisher is not responsible for errors. **Click the company name or page number to see their advertisement.**

Company	PG#	Company	PG#
APPLETON / EMERSON	9	RHINO MATS	16
APPLETON / EMERSON	11	SILTEC USA, INC	13
BARRON LIGHTING GROUP	5	SP PRODUCTS INC	3
CONDUIT REPAIR SYSTEMS	21	SP PRODUCTS INC	19
iTOOLco	IFC	SP PRODUCTS INC	26,27
iTOOLco	IBC	SP PRODUCTS INC	BC
KRENZ & COMPANY	32	TIMCO INSTRUMENTS, LLC	12
MILLER SAFETY CONSULTANTS, LTD	7	UNDERGROUND DEVICES	8
RANDL INDUSTRIES	15	UNDERGROUND DEVICES	17

When it comes to transformer cooling fans, Krenz-Vent is the industry recognized gold standard. Our leadership position is earned through 80+ years of R&D plus our superior engineering and customer service. You can rest easy when you specify Krenz fans.

**ENGINEERED TO COOL**  
There is no comparison.



**KRENZ & COMPANY, INC.**  
KRENZVENT.COM • 262.255.2310 • KRENZ@KRENZVENT.COM

ALL THE INFORMATION YOU NEED IS JUST A CLICK AWAY AT **WWW.EPSMAG.NET**

**Electrical Products & Solutions**

Transition Couplings  
PVC Bell End Adapter  
Galvanized Rigid Conduit - 1/2" thru 6"

Warming Up to Electrical Heating Cables

WHAT'S NEW

- Conduit Repair Systems, Inc. The World Leader in Split Conduit Products
- DMF Lighting Expands its M Series Commercial Collection with High Lumen Packages for Hospitality and Mix-Use Spaces
- New Multi-Tester from Klein Tools Combines Core Electrical Products into One Model
- RPS Launches SlimWave Filter To Safeguard Motor and Cables

# CORDLESS CANNON 6K

**iTOOLco.**  
WWW.iTOOLco.com | 865.670.3713



Speed, versatility, and performance are all yours with iTOOLco's Cordless Cannon 6K™. This portable 6,000 lb. puller is intuitively designed to handle all of your day-to-day wire pulls.

The built-in capstan switch automatically turns the puller on and off. Simply tug on the rope to start the pull and slack off the rope to shut it down. Delivers dynamic performance in remote locations or areas where power is not yet available.





# SPPRODUCTS, INC.

Productivity and value thru ideas  
**FOR SAFER BETTER FASTER JOBS**



We're Proud to be the Electricians' Friend for Over 50 Years!

**IP5**

**"The Original"**

Enter Any KO on Both Sides of the Box



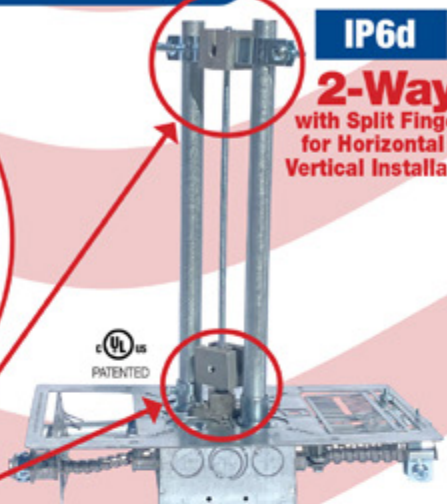
**IP19/20**  
4-Conduit Block  
PATENTED

**IP21a**  
QwikBlock  
PATENT PENDING

Use 4-Conduit Block (IP19 or IP20) with QwikBlock (IP21a)

**IP6d**

**2-Way**  
with Split Fingers for Horizontal or Vertical Installation

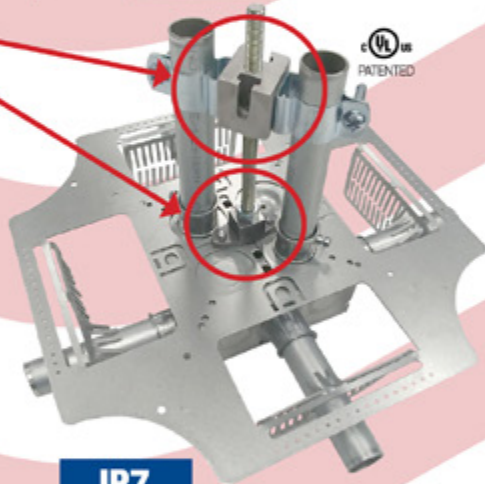


**IP6**

**4-Way**

Enter Any KO on All 4 Sides of the Box Plus 4 Large Open KOs in Center Allows Entering Back of Box

## Our Family of Conduit & Box Support Plates Saves Valuable Time & Money!



**IP7**

**4-Way**

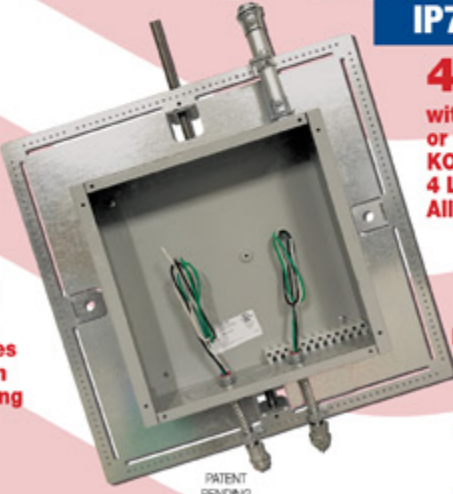
with Split Fingers for Horizontal or Vertical Installation. Enter Any KO on All 4 Sides of the Box Plus 4 Large Open KOs in Center Allows Entering Back of Box.



**IP6a**

**2-Way/Half**

Enter Any KO on 1 or 2 Sides of the Box Plus Large Open KOs in Center Allows Entering Back of Box



PATENT PENDING

**IP8**

Mount Horizontally or Vertically from One Single Support

**20 x 20**

Supports up to 12 x 12 J-Box

**28 x 28**

Supports up to 20 x 20 J-Box

**MADE IN THE USA!**

Plus More Being Invented for *SAFER BETTER FASTER* Jobs . . . Call With Your Ideas!

SPProducts.com 800-233-8595 info@SPProducts.com