

AUGUST 2024

Electrical

Products & Solutions™

The Purchasing Guide for Electrical Contractors

www.opsmag.net

QwikDuct HDPE Custom Templates

SP Products, Inc.



IP3e

PVC Guide



TE15

Conduit Layout Tool



IP4

EZ Raised Bracket



IP3f

IP3g

Slip PVC/RGD



BOOTH #1947

NECA

San Diego
Sep 28 - Oct 1

2024

iTOOLco.

CANNON 12K

**THE TOUGHEST
WIRE PULLER YOU'LL EVER USE!**



EXTRA EXTENSIONS:
giving you up to 13' of wire from
the conduit opening.



SIX SPEEDS:
Dual capstans with 3 speeds
on each AND reverse gear!



12,000 Lb. pulling capacity.



Dual capstans with a 3
speed motor.



Overhead, underground
and side pull capabilities.

*In stock in
Everett, WA*



*Large
Inventory*

SILTEC®

Stainless Steel Cable Trays



www.siltec.us

For more information:

(+1) 425.328.1006

siltec@siltec.us

11604 Airport Rd, Ste. D100, Everett, WA 98204

Electrical Products & Solutions™
NECA issue sponsors



COMPANY PROFILE

6 Protect Yourself
Miller Safety Consultants —
A Leader in Arc Flash Protection
BY VINCENT MILLER

COVER STORY

8 SP Products
For Safer, Better, Faster Jobs
BY MIKEL BISHKA

DEPARTMENTS

- 14** INDUSTRY NEWS
- 24** NEW PRODUCTS
- 32** AD INDEX

ON THE COVER

Photo courtesy of SP Products



Electrical Products & Solutions™
The Purchasing Guide for Electrical Contractors www.epsmag.net

PUBLISHER
Danny J. Salchert

OFFICE MANAGER
Anita Salchert

CREATIVE DIRECTOR
Derek Gaylard

CIRCULATION DIRECTOR
Pam Fulmer

CONTRIBUTING WRITERS
Vincent Miller
Mikel Bishka



PRESIDENT
Danny J. Salchert

EXECUTIVE AND ADVERTISING OFFICES
2009 Eagle Ridge Drive
Birmingham, AL 35242
phone: 205.981.4541
www.epsmag.net
danny@epsmag.net

Electrical Products & Solutions™ is published twelve times a year on a monthly basis by ABD Communications, Inc., 3591 Cahaba Beach Road, Birmingham, Alabama, 35242, USA. *Electrical Products & Solutions™* is distributed free to qualified subscribers. Non-qualified subscription rates are \$57.00 per year in the U.S. and Canada and \$84.00 per year for foreign subscribers (surface mail). U.S. Postage paid at Birmingham, Alabama and additional mailing offices. *Electrical Products & Solutions™* is distributed to qualified readers in the electrical contracting industry. Publisher is not liable for all content (including editorial and illustrations provided by advertisers) of advertisements published and does not accept responsibility for any claims made against the publisher. It is the advertiser's or agency's responsibility to obtain appropriate releases on any item or individuals pictured in an advertisement. Reproduction of this magazine in whole or in part is prohibited without prior written permission from the publisher.

POSTMASTER: Send address changes to ABD Communications, Inc., P.O. Box 382885 Birmingham, Alabama 35238-2885

FOLLOW US ON



SP PRODUCTS, INC.
Productivity and value thru ideas
FOR SAFER BETTER FASTER JOBS

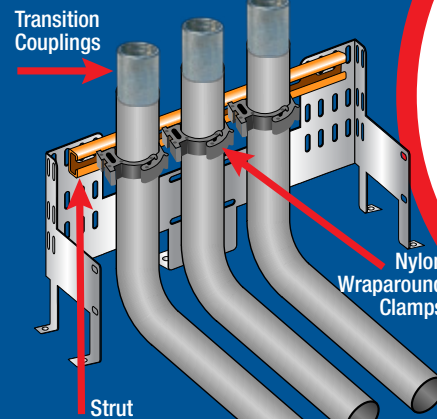
We're Proud to be the Electricians' Friend for Over 50 Years!

NEW PRODUCT!

IP10a

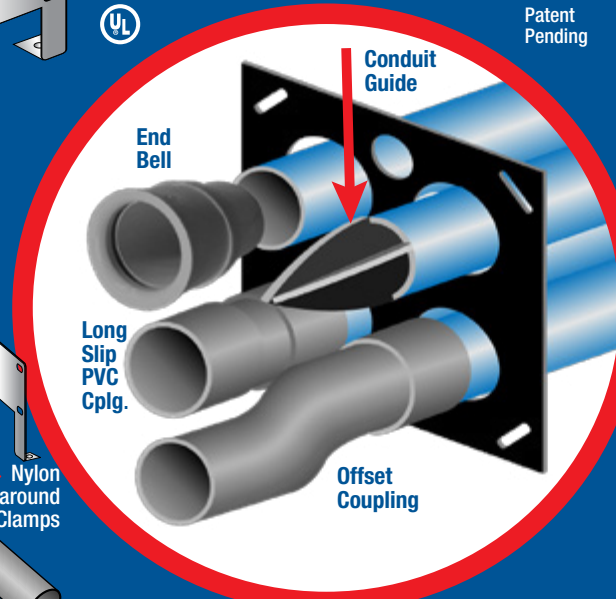
EZ STUB-UP

Join two EZ Stub-Ups with strut to support and secure multiple stub-ups on wooden forms before concrete pour for sizes 1/2", 3/4", 1" & 1-1/4" stub-ups with SP's Nylon Support Brackets and transition to RGB with our transition couplings.



IP1 Qwik Duct Safer Better Faster

HDPE CUSTOM TEMPLATES
In Any Configuration Required



IP3b IP3c

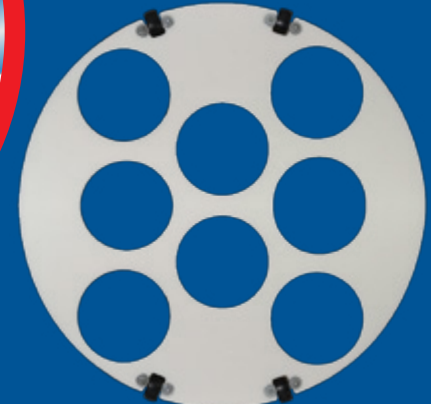
PVC Offset

Sizes 1/2" thru 6"
Meets Flexible Madrel Test Requirements



Bore Spacers

Sizes 1/2" thru 6"
Roll assembled conduit into caissons and under obstructions



IP2a



IP13a-p

Conduit Transition Couplings



PVC schedule 40 & 80

Transitions in Less Than

5 Minutes

Patent Pending



IP3a

End Bell Adapter
Schedule 40/80 PVC



Patent Pending

Save Cost on the Rigid Nipple, Tape & Labor
Use for Entire Job - Not Just for Repair

IP15

1 Piece Reaming Bit
1/2" thru 6"
Schedule 40/80

Plus More Being Invented for SAFER BETTER FASTER Jobs . . . Call With Your Ideas!

SPProducts.com 800-233-8595 Info@SPProducts.com

REPAIR CONDUIT IN A SNAP!

No Tape • No Plastic Straps • No Metallic Straps

NO KIDDING!

Designed especially for power, communications and fiber optics.



STEP 1
Remove damaged conduit

STEP 2
Cut split duct conduit to fit

STEP 3
Snap in place

STEP 4
Attach adapters

STEP 5
Finish job in record time

“The World Leader In Split Conduit Products”



Conduit Repair Systems, Inc.
The World Leader In Split Conduit Products



800.670.1804 • 435.673.8724 fax • crs@conduitrepair.com • www.conduitrepair.com

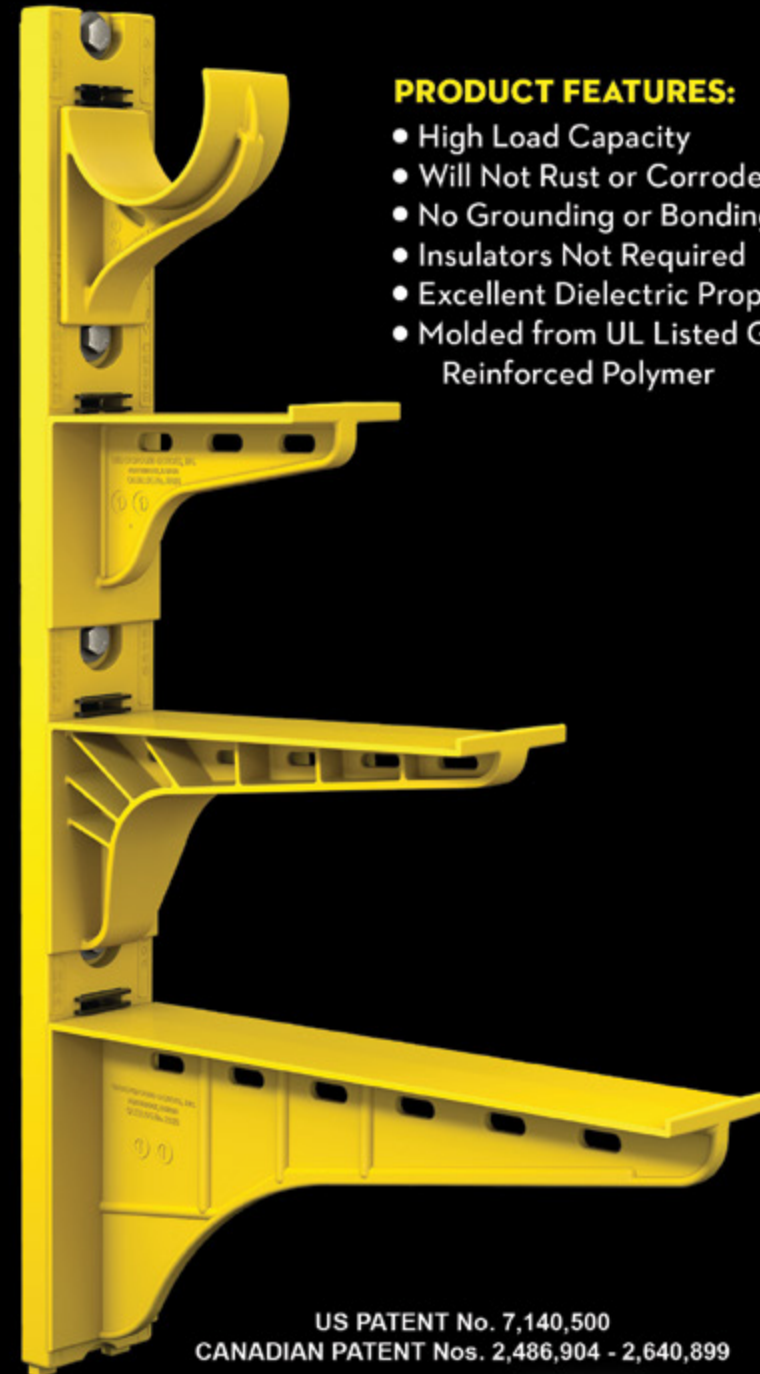
The Heavy Duty Nonmetallic CABLE RACK

For Power and Communications Manholes And Vaults



PRODUCT FEATURES:

- High Load Capacity
- Will Not Rust or Corrode
- No Grounding or Bonding
- Insulators Not Required
- Excellent Dielectric Properties
- Molded from UL Listed Glass Reinforced Polymer



US PATENT No. 7,140,500
CANADIAN PATENT Nos. 2,486,904 - 2,640,899



HDL Arm Lock shown with RA04 Arm and CR36-B Stanchion



3HDS - 3" throat saddle shown with a cable secured by cable ties.



RA08 - 8" arm shown with three cables secured by cable ties.

UNDERGROUND DEVICES
INCORPORATED



420 ACADEMY DRIVE
NORTHBROOK, IL 60062
Phone: 847-205-9000 • Fax: 847-205-9004
Website: www.udevices.com

Protect Yourself

Miller Safety Consultants — A Leader in Arc Flash Protection

Vince Miller started Miller Safety Consultants, a veteran owned business in 1999. The goal of the business was to provide cost effective safety consulting, employee training such as: confined space entry, fall protection, electrical safety and provide sales of electrical shock and flash protective equipment and fall protection equipment to businesses in the Washington DC area.

Reliance Industries provided fall protection products and much of the sales and training was on behalf of the supplier. In 2000, the owner decided to retire from his business, and Vince decided to discontinue the fall protection line of his business and concentrate more in the electrical training and products.

Vince had been a distributor for Certified Insulated Products (CIP), a manufacturer of electrical insulated tools and electrical arc flash clothing manufactured by Otex in Rochester, New York. As a distributor, Vince provided sales through his internet website and much through relationships with electrical contractors. His training was a classroom environment and was provided directly to customers but he also taught as a sub-contractor for other safety consulting companies and the

Chesapeake Safety Council in Baltimore, Maryland. In 2005, Vince partnered with Vivid Learning Systems in Cascades, Washington to provide on-line training in safe work practices.

Training in electrical safe work practices is still provided locally in the Washington DC area and as a partner with an electrical engineering firm and online. The training is based on the Occupational Health and Safety Administration (OSHA) standards and the National Fire Protection Association (NFPA) 70E standard.

Miller Safety Consultants is now a distributor for Cementex USA, Burlington, New Jersey, for insulated tools and equipment and clothing from OTEX Protective, Rochester, New York.

The majority of his sales of products

are from the web-based store. Cementex is nationally known for their quality equipment. Otex Protective is becoming more known for their quality clothing. For years, they have manufactured their products under other provider labels. Vince chose to not create his clothing line, but to sell the manufacturer product.

Vince has worked with many electrical company employees to fine-tune the clothing to be more comfortable for the user. Working closely with the manufacturer, they have made slight changes in how the cloth pattern was modified to meet final production. An example is the lightweight 40 Calorie vented hood offered by Otex.

The material is of the latest technology. The vented assembly is constructed for balance on the back of the hardhat and the airflow is 27 CFM to prevent fogging of the face shield and provide cooling to the worker. It took over a year to develop the product with the user prior to having the hood "flash tested". This product is now standard issue with many electrical contractors.

Being a small business and having quality providers has resulted in satisfied customers for Miller Safety Consultants. Being a direct supplier for OTEX Protective, another small business means customized customer needs can be met. □

For more information, visit
Miller Safety Consultants at:
www.electricalsafety.com, email
Vince at: sales@millersafetyltd.com.

AUTHORIZED
Cementex
The Safety Tool Specialists
DISTRIBUTOR

Give Vince a call at
(703) 367-0404



Deluxe Maintenance Tool Kit



Class O Glove Kit

Protect yourself from "Arc Flash"



ARC FLASH LIFT-FRONT HOOD WITH V¹² HIGH-VOLUME VENTILATOR
Compact. Powerful. Reliable

Our V¹² High-Volume Ventilator boasts an unexpectedly quiet, high output (35+ CFM) turbine fan to cool and circulate the ambient air within the hood. Fully protected beneath it's durable ABS shell and added fabric layering, the V¹² High-Volume Ventilator isn't just compliant, it's superior.



40 CAL/CM2 ULTRALIGHT CLOTHING BY OTEX

Our new dual-layer Ultralight clothing takes advantage of DuPont's® dedication to scientific advancement and Westex's® industry leading dependability. Weighing in 37% lighter than traditional HRC4 PPE, our Ultralight Clothing is the most innovative contender in the lightweight arena.

HYBRID LAYERING

Combined Fabric Weight: 14 oz

Outer Layer: DuPont® Protera
Color: Navy

Inner Layer: Westex Ultrasoft
Color: Safety Orange



CALL US TODAY
(703) 367-0404

OR VISIT OUR ONLINE ELECTRICAL SAFETY EQUIPMENT STORE
www.electricalsafety.com



SP Products

For Safer, Better, Faster Jobs

By **MIKEL BISHKA**

WE STARTED THE BUSINESS IN 1966 based on more than just making a fair profit. SP Products Inc's philosophy and dedication to making valid contributions to the industry began with "Econo-Whips" introduced for streamlining and minimizing installation errors in the field.

SP Products is dedicated to developing new labor-saving products & devices working with experienced electrical personnel to enable safer, better, faster installations.

Our innovative products have been developed for installations below grade, slab on grade, overhead rough in and wall rough in applications. Our products are UL listed and we are proud to make them in the U.S.A.

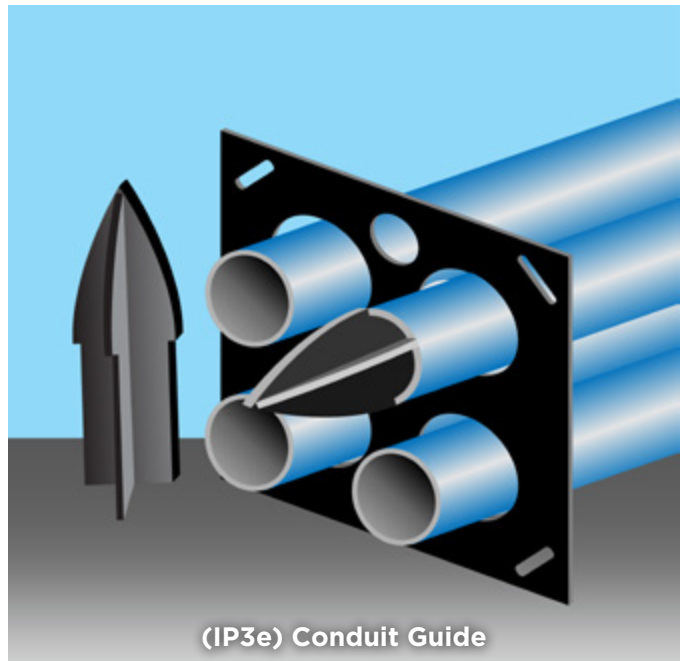
Our QwikDuct HDPE Custom Templates make installing underground conduit runs in trenches safer by keeping workers out of the trench, reducing injury or death. Assembly is done in the pre-fab shop or on site next to trench. Using SP's QwikDuct Templates allows digging a narrower trench for less excavation, while reducing concrete/slurry, shoring and backfill. QwikDuct is stronger than traditional spacers and chairs, which are clipped together pieces while templates are one piece and rated at 4,000 PSI so assemblies will not collapse. Assemblies

up to 250 feet can be lowered from above into the trench with 2 front-loaders or forklifts, saving a huge amount of time & Labor. Templates can be designed for any configuration up to 5 x 10 feet can and are available in 3/8", 1/2" and 3/4" thicknesses. Other options include rebar holes for caging, flow holes for concrete, angled slots to anchor with rebar into the sides of the trench to prevent floating during the pour. Orientation notches can also be added to easily identify proper alignment when setting templates up for assembly. When assembling templates use SP's Conduit Guides (IP3c) for fast and effortless installation feeding long lengths of PVC through templates while reducing the number of electricians to assemble.

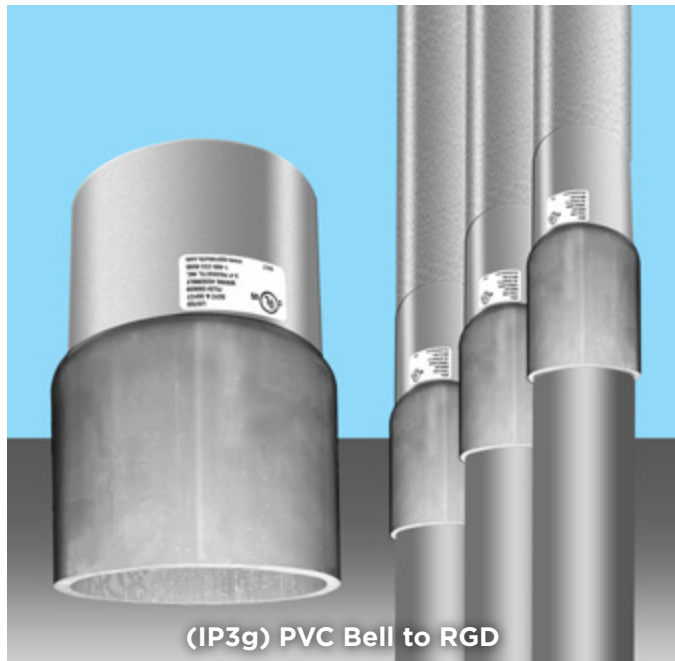
When entering a vault, manhole

or building cavity misalignment may be an issue due to templates shifting during the pour. Our Offset Couplings are available from 1/2" to 3" offset for schedule 40 PVC, 1/2" through 6" and all meet the Mandrel test requirements plus we can add threads to Offsets for ease of installing into equipment. PVC End Bell Adapters (IP14) and Long Slip Couplings for PVC to PVC (IP3f) or PVC to RGD (IP3g) are also available for transitions. Before the slab pour, SP's EZ Stub-Up support brackets (IP10), make securing 90 degree conduit elbows or conduit sleeves, as a single or multiple conduit applications fast and secure when penetrating the slab.

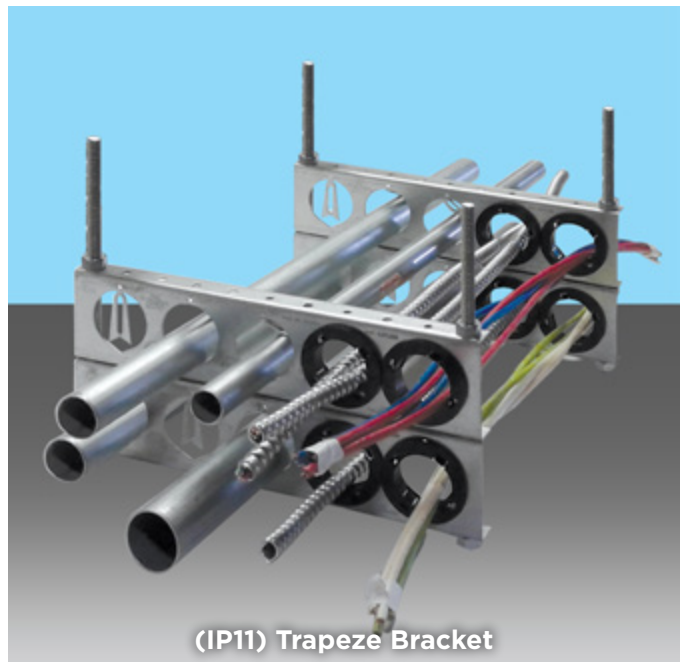
Transitioning or change overs above the slab is made fast and easy using SP's transition coupling family (IP13) with, or (IP12) without reaming out



(IP3e) Conduit Guide



(IP3g) PVC Bell to RGD



(IP11) Trapeze Bracket



(IP13) Transition Couplings (IP15) Reaming Bit

the PVC conduit penetrating the slab. Cut schedule 40/80 PVC flush to the slab and ream out with our reaming bits (IP15) and glue and install the appropriate UL Listed Transition coupling to continue the run with desired conduit above the deck.

For wall rough applications SP's product family of box support brackets make pre-fab and installation a breeze with our "Big-O" (IP26), indented or

flat brackets. Elongated installation holes, 1 at each end of bracket, allow for sliding bracket left or right for alignment.

We also offer our Flat Fixed Position (IP28) box support product, for 1, 2, 3 or 4 boxes made of 16 gauge galvanized steel with teardrop openings for attaching boxes without removing screws. The single gang version can be mounted on left or right stud applications.

Solutions for overhead rough in applications includes SP's family of box support plates (IP6-8) can support multiple conduits by a single threaded rod eliminating additional drops and clamps by supporting conduit entering all sides of the box as well as thru the back of the box as your "First Means of Support". Our Trapeze Bracket feed through family (IP11) of products are available in several configurations and

MADE IN AMERICA, FOR AMERICA

At Electri-Flex, we are proud to do our part in rebuilding America by providing top-quality, domestically sourced conduit made right here in the U.S. Our industry-leading Liquatite® flexible conduit line is second to none, offering options for virtually every application, from data and defense to transit, rail and bridges. And backed by more than 65 years of family ownership, we look after your business as if it were an extension of our own. Because we believe that America deserves the best.

Electri-Flex.
Rebuilding our infrastructure
at every turn.

DISTRIBUTORS NATIONWIDE

ALL PRODUCTS PROUDLY
MADE IN THE USA



See Us at the
NECA SHOW 2024
Booth #759

electri-flex



ELECTRI-FLEX COMPANY

222 West Central Ave
Roselle, IL 60172-1994 USA

Toll-free phone (U.S.): 1-800-323-6174
Phone: (630) 529-2920



www.electriflex.com

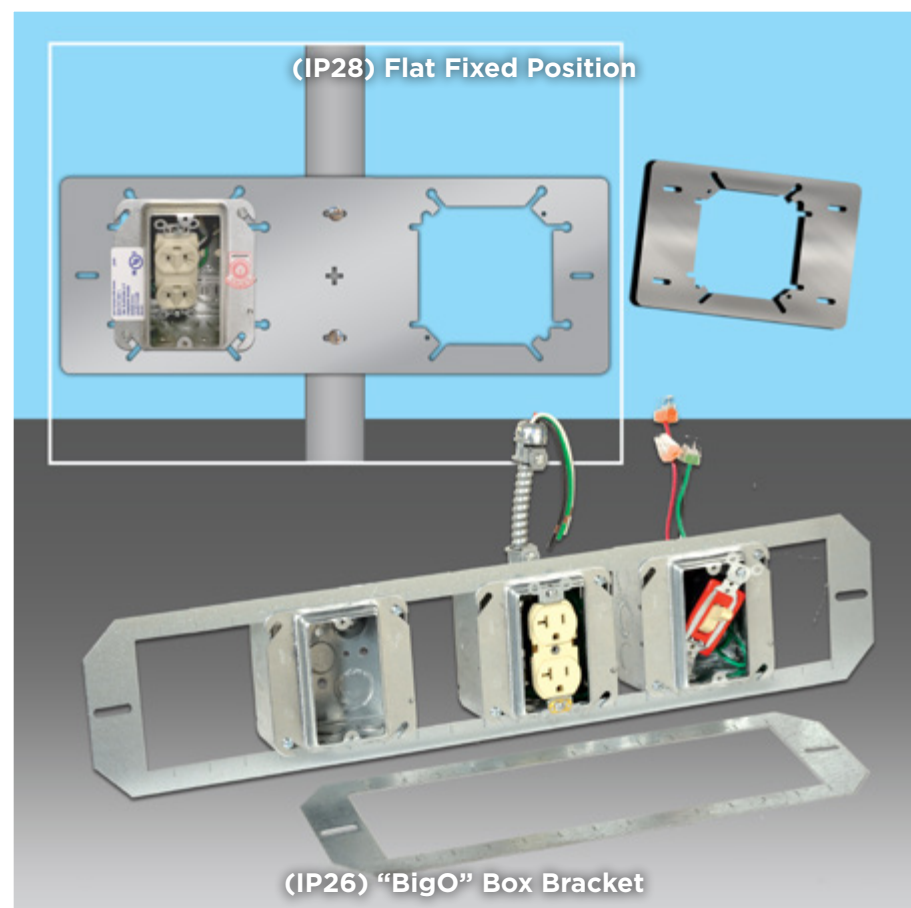


come in lengths of 1 foot increments up to a 6 foot piece. Tabs built into the openings secure the conduit in place or when stacking the Trapeze to create a well-organized, evenly spaced professional looking installations.

Our goal is to take care for our country, industry and electrical personnel by encouraging everyone to buy and install MADE in U.S.A. innovative products for Safer-Better-Faster jobs and that provide opportunities for fair compensation for current and future generations of workers in this country.

We develop and promote products that accomplish these goals and are proud to be the electrician's friend by providing them with the satisfaction of making a valuable contribution to the Electrical industry and receiving fair compensation for their innovative ideas.

SP Products provides labor saving products and devices to help ease and streamline your electrical construction projects. □



Create a More Productive Environment with Retrofit Solutions

The Appleton™ Retromaster LED Series by Emerson is designed to upgrade outdated legacy lighting fixtures to LED to improve operational life and lower maintenance costs. Safely illuminate Class I, Division 2 locations with models providing up to 5000 lumen output in a compact footprint. With dual lumen outputs, the Retromaster LED provides a tailored retrofit solution for your facility.

Learn More at: www.masteringled.com



Appleton™ Retromaster LED Series Luminaires

APPLETON™

The Emerson logo is a trademark and a service mark of Emerson Electric Co. © 2024 Emerson Electric Co.



EMERSON

Emerson Announces Changes in Global Sales Leadership at Appleton Group

Worldwide sales management to be consolidated under newly-appointed Vice President of Global Sales Andy Schwegel

Emerson recently announced a key executive change at its Appleton Group division with the promotion of 35-year electrical industry veteran Andy Schwegel to the newly created position of Vice President of Global Sales, effective immediately, overseeing domestic and international sales organizations. He will report directly to Anthony Hartman, President of Appleton Group.

Previously Vice President of International Operations & Industrial and Commercial Sales, Mr. Schwegel will be responsible for continuing to drive growth and top-line revenue expansion for Appleton Group brands Appleton™, O-Z/Gedney™, EasyHeat™ and Nelson™ across a global sales network that encompasses over 2,500 distributor partners.

“Andy has a long-standing record of bolstering sales and delivering on strategic business opportunities,” said Hartman. “His deep understanding of the harsh and hazardous location electrical markets, combined with a wealth of executive experience, makes him the ideal leader for our entire global sales operation. His ability to continuously accelerate sales growth and navigate complex market landscapes will be pivotal as we expand the Appleton footprint worldwide to meet the demand for safe, reliable and efficient electrical solutions.”

In his 22-year tenure with Emerson, Mr. Schwegel has held increasingly



Andy Schwegel has been promoted to Vice President of Global Sales

responsible positions, primarily in marketing, business development and sales management. Before joining

Emerson, Schwegel gained industry experience working for Eaton and Grainger. □

ABOUT EMERSON

Emerson (NYSE: EMR) is a global technology and software company providing innovative solutions for the world's essential industries. Through its leading automation portfolio, including its majority stake in AspenTech, Emerson helps hybrid, process and discrete manufacturers optimize operations, protect personnel, reduce emissions and achieve their sustainability goals. For more information, visit [Emerson.com](https://www.emerson.com).



Extend Luminaire Life While Reducing Energy Consumption

The Appleton™ Mercmaster™ Connect LED by Emerson is designed to illuminate hazardous and harsh industrial locations with integrated motion and illuminance sensors. Paired with Emerson's Plantweb Insight Connected Lighting Application, operators have access to lighting usage data and sustainability analytics.

The Mercmaster Connect LED provides facility managers with continuous monitoring of their LED lighting with real-time insights gained into sustainability goals, diagnostics and lumen levels from any remote location at dramatically lower costs as compared to wired alternatives, with faster installation time and minimal disruption to plant operations.

Learn more at: masteringled.com



Appleton™ Mercmaster™ Connect LED

APPLETON™

The Appleton logo is a trademark and a service mark of Emerson Electric Co. © 2021 Emerson Electric Co.



CONSIDER IT SOLVED™

NEW WEBSITE & PRODUCT CATALOG FROM CONDUX INTERNATIONAL



Condux International, Inc., a manufacturer of cable installation tools and equipment, recently launched a new, updated, comprehensive website. The site aligns the product menu system with a newly updated catalog and product line card to make it easy for users to find the products they need.

The new site is designed to maximize the interactive experience for end users, distributors and internal sales personnel. Many flagship products feature rollover callouts and 360-degree photo viewers. The refined navigation system provides easy access to information on Condux's complete line of cable installation equipment.

The new Condux catalog, along with various product manuals and brochures, is available online by page or full download in PDF format. Users can also find information on Condux University, new products and more. The website has the most up to date information about the Condux line of power, telecom and fiber optic cable installation equipment. □

ABOUT CONDUX INTERNATIONAL

Condux International has been the premier manufacturer of cable installation tools and equipment for the telecom, fiber optic and electric power markets for over 40 years. Condux products allow safe, quick and accurate installation of fiber optic and power cables. Condux manufactures almost everything an installer needs to put fiber optic cable or power cable in the ground. With everything from large fiber optic blowers, handheld cable pushers to capstan-based cable pullers, Condux has exactly what you need to successfully complete your cable installation project. For more information visit www.condux.com.



EASIER TO PULL • EASIER TO CARRY!

PullEase™ aluminum EMT Now available in colors!



SEE FOR YOURSELF! NECA BOOTH #619

**AMERICAN
CONDUIT**



www.AmericanConduit.com

200 Riviera Blvd, St. Augustine, FL 32086
Phone: 800-334-6825



Leviton Appoints New COOs to Align with the Company's Strategic Direction and Growth

Enhanced business strategy following significant investments allows Leviton to better meet the evolving needs of its customers and bring industry-leading solutions to key areas for growth

Leviton recently announced the appointment of two new Chief Operating Officers (COO) as part of an enhanced business strategy to better align resources with the company's strategy and future growth. Effective immediately, Bob Becker is promoted to COO of Electrical and Ross Goldman is promoted to COO of Network Solutions. Becker, previously Executive Vice President and General Manager of the Residential business unit, will be responsible for Residential, Commercial and Industrial (C&I) and Lighting and Controls (L&C) business units as well as Global Supply Chain, while Goldman will be responsible for the Network Solutions business. Goldman previously held the title of Executive Vice President and General Manager of the Network Solutions business unit, and he will retain his position as Chief Sustainability Officer alongside his new COO role.



Bob Becker, COO of Electrical

expand Network Solutions' offerings, as well as new factories to add capacity to meet the growing demands of the data center and enterprise markets.

As demand increases for energy-efficient solutions across commercial, industrial, and residential sectors, Leviton has also invested almost \$400 million in its Electrical business. This funding allowed for the strategic acquisitions of Intense, Contech, Birchwood, Viscor, and JCC lighting brands and significant capital investments in production capacity. Additionally, the company continues to develop innovative solutions that meet or exceed customer requirements

across the entire value chain. Some of these market-leading solutions include the Decora Smart® Wi-Fi portfolio of connected devices and the industry's first Smart Load Center for the residential market, the award-winning Intellect™ Intelligent Fixture Control System and metering and verification solutions for commercial buildings, as well as the Lever Edge portfolio of wiring devices that revolutionizes and simplifies installation.

"The global push towards electrification, coupled with the rapid expansion of data centers, are driving unprecedented growth. These trends are reshaping industries and economies at a pace never seen before, underscoring the critical need for sustainable and efficient energy solutions," said Daryoush Larizadeh, Leviton President and CEO. "Leadership under Bob and Ross will undoubtedly drive our organization toward even greater success, capitalizing on key growth areas within Electrical and Network Solutions. Their expertise will further position us for the future as we deliver stronger performance, enhance accountability, and drive innovation in today's increasingly nuanced and complex markets."

For more information about Leviton, please visit www.leviton.com. □

ABOUT LEVITON

Every day, Leviton builds what's next to light, power, and connect everyday spaces to meet the needs of its residential, commercial, and industrial customers globally. From controls, to lighting, to electrical, to networking, Leviton's relentless innovation for more than a century enables our customers' lives to be easier, safer, more efficient, productive and sustainable. Driven by its commitment to its customers, the ingenuity of its employees, and the safety and quality of its products and solutions, with Leviton, the FUTURE IS ON. For more information, visit www.leviton.com.



We're Proud to be the Electricians' Friend for Over 50 Years!

IP19

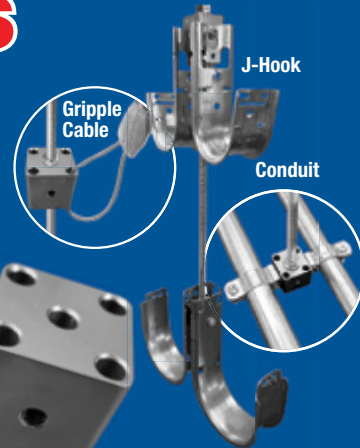
4-Conduit Block

Vertical support from only one 1/4", 3/8" or 1/2" threaded or threadless rods 1/4" or 3/8" threaded holes on the side along with slots for hex head bolts for hardware are provided for conduit support.



New Products

Safer Better Faster



IP20a

Box Support Rod Cubes

Vertical support from only one 1/4" or 3/8" threaded or threadless rod with 4 holes for Gripple applications as well as 4 threaded 1/4" or 3/8" holes for conduit support hardware.

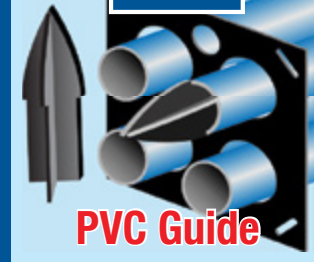
IP21a

QwikBlock

Vertical support from only one 1/4", 3/8" or 1/2" threaded rod by attaching two machine screws 1/4" x 20 thru the existing holes in back of the box Eliminates knocking out center KO on box and traditional nut and washer method to support a single box.



IP3e



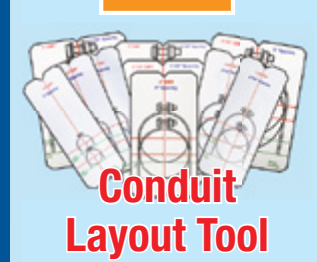
PVC Guide

IP2b



PVC Driver

TE15



Conduit Layout Tool

IP3g



Long Slip PVC

IP3f



Slip PVC/RGD

IP4



EZ Raised Bracket

For more information visit our website at SPProducts.com

Plus More Being Invented for SAFER BETTER FASTER Jobs . . . Call With Your Ideas!

Connecticut Manufacturer Raises Over \$2,500 for First Responders, Military Heroes

PACT Presents \$2,530 Check to Tunnel To Towers Foundation

Summer is typically a time when businesses slow down or go on furlough. Not so with Connecticut crating manufacturer Packaging And Crating Technologies, LLC (PACT), which created a grassroots fundraising opportunity for the Tunnel to Towers (T2T) Foundation that ran from May 1st through the 4th of July based on sales of its popular produce line currently used by the military and moving industry. On Wednesday, July 31, 2024, the Watertown-based company presented a \$2,530 check to the national charity that directly benefits American military veterans and first responders, especially those involved with the 9/11 NYC tragedy, at its company headquarters.

“It is always the ideal time to honor the sacrifice of American servicemen and women and first responders who have given us the gift of freedom,” said Rodger Mort, chief operating officer at PACT. “We have strong ties to the military both personally and professionally and are always happy to help such humble heroes in any way possible.”

The T2T Foundation provides mortgage-free homes for America’s



From left: Tunnel to Towers Director of Development for National Programs Cahill Zoeller officially accepts a fundraising check from PACT Chief Operating Officer Rodger Mort.

catastrophically injured veterans and first responders, Gold Star and fallen first responder families. According to the Defense Casualty Analysis System, there were 844 total military deaths in 2022.

Tunnels to Towers Foundation was founded to recognize the valiant life of NYC firefighter Stephen Gerard Siller. Siller was assigned to Brooklyn’s Squad 1 and had just finished his shift when he got word over his scanner of a plane hitting the North Tower of the World Trade Center. He drove his truck to the

entrance of the Brooklyn Battery Tunnel, but it had already been closed for security purposes. Determined to carry out his duty, he strapped 60 lbs. of gear to his back, and raced on foot through the tunnel to the Twin Towers, where he gave up his life while saving others. Stephen had everything to live for; a great wife, five wonderful children, a devoted extended family, and friends.

To date, the Foundation has provided over 600 mortgage-free homes for families, including specially-adapted smart homes for catastrophically injured veterans and first responders. Over 500,000 participants have supported the organization’s 80+ national walk, run and climb fundraisers.

“We are extremely grateful for the generous effort that PACT has made to our national non-profit organization for the second year in a row,” said Cahill Zoeller, director of development for national programs at Tunnel To Towers Foundation. “In an incredibly real way, each dollar donated helps take a huge financial burden off our many beneficiary families.”

For more information about PACT and its line of products for the military, please visit: www.pactww.com. □

ABOUT PACT

PACT, LLC is a global leader in manufacturing sustainable packaging products for the commercial, industrial and military industries. With more than 25 years of experience, the family business was founded by three green packaging professionals and continues to embrace a green future by designing cost-effective, patented, crating solutions like LiftVans and PleatWrap, as well as custom packaging for the aerospace, medical, electronics, tooling, machinery, furniture, fine art and automotive sectors. The company’s newest innovation is PACT Thermo Shield, a sustainable paper-based packaging material that suppresses and controls lithium-ion battery fires by mitigating thermal runaway.

ABOUT THE TUNNEL TO TOWERS FOUNDATION

Born from the tragedy of 9/11, the Tunnel to Towers Foundation carries out its mission to “do good,” by providing mortgage-free homes to Gold Star and fallen first responder families with young children and by building specially-adapted smart homes for catastrophically injured veterans and first responders. Tunnel to Towers is also committed to eradicating veteran homelessness and helping America to Never Forget September 11, 2001. Visit T2T.org to learn more and follow Tunnel to Towers on Facebook, Twitter, and Instagram.



iTOOLco.

THE MVP20K

MORE POWER, NO COMPROMISES.

865-670-3713 | www.iTOOLco.com



C&H Electric Expands TEGG Service in Connecticut

ABM (NYSE: ABM), a leading provider of integrated facility services, infrastructure solutions, and parking management, recently announced that C&H Electric in Waterbury, Connecticut, has signed an agreement to join the TEGG franchise network, providing services throughout Connecticut. C&H Electric is a leading full-service electrical solutions provider for commercial and industrial facilities focused on mission-critical electrical construction and maintenance. TEGG is a franchise brand of ABM Franchising Group, LLC, a subsidiary of ABM.

“C&H Electric’s expertise and experience with healthcare and mission-critical facilities positions them perfectly to grow with trends in facility management and electrical contracting,” said Kelly Pnacek, Vice President of ABM Franchising Group. “TEGG contractors specialize in electrical asset management and solutions that keep facilities safe and resilient as businesses come to rely on technology and electrical system uptime more and more. We’re excited to have C&H join the TEGG network.”

Founded in 1967, C&H Electric has decades of experience with healthcare facilities and now provides full-service electrical construction and maintenance solutions throughout Connecticut. As a TEGG contractor, C&H plans to build on their technical expertise in data centers, manufacturing, healthcare and education facilities to expand their



maintenance and testing solutions, including engineering studies, arc flash hazard analyses, and consulting on electrical maintenance plans, asset management, and NFPA 70E safety training.

“C&H Electric is proud to join the TEGG network, which increases our capabilities to drive resiliency and safety in our mission-critical customer’s facilities,” said Bill Concannon, Principal of C&H Electric. “Joining the TEGG network also allows us to offer new career paths to our valuable

electrician team members who are looking for growth and learning opportunities.”

ABM Franchising Group offers a portfolio of franchise networks that deliver building performance for commercial and industrial buildings through electrical and mechanical services and preventive maintenance solutions. ABM Franchising Group consists of two franchise brands: TEGG and Linc Service. C&H Electric will operate under the TEGG franchise brand. □

ABOUT ABM

ABM (NYSE: ABM) is one of the world’s largest providers of facility services and solutions. A driving force for a cleaner, healthier and more sustainable world, ABM provides essential services and forward-looking performance solutions that improve the spaces and places that matter most. From curbside to rooftop, ABM’s comprehensive services include janitorial, engineering, parking, electrical and lighting, energy and electric vehicle charging infrastructure, HVAC and mechanical, landscape and turf, and mission critical solutions. ABM serves a wide range of industries—from commercial office buildings to universities, airports, hospitals, data centers, manufacturing plants and distribution centers, entertainment venues and more. Founded in 1909, ABM serves over 20,000 clients, with annualized revenue approaching \$8 billion and more than 100,000 team members in 350+ offices throughout the United States, United Kingdom, Republic of Ireland and other international locations. For more information, visit www.abm.com.



RANDL
INDUSTRIES, INC.

Install Peace of Mind!

First there was 4 square...
and now the **REVOLUTIONARY 5 Square® Box!!**

You’ve struggled with 4 Square boxes for years - you know how small, cramped and time consuming they are. Finally, there is a solution that allows you the space you have always needed.

The **5 Square®** Boxes (5" x 5" x 2-7/8") provide up to 88 in³ of interior volume which more than doubles that of most existing boxes on the market.

Create a robust and unrivaled infrastructure for the life of your facility with the **5 Square®** Products!

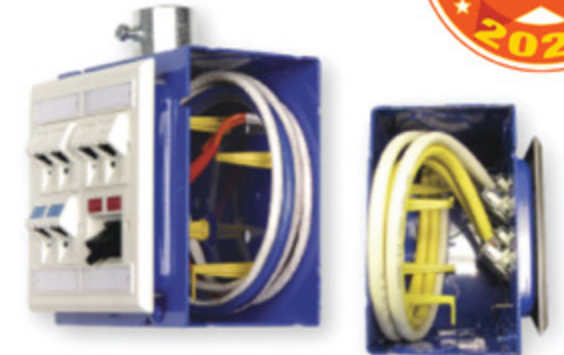


Fire Signal



- TWICE THE VOLUME AS MOST BOXES
- SAVE LABOR...INCREASE PROFITS
- ELIMINATES TROUBLESHOOTING TIME AND COST
- FULLY UPGRADEABLE SYSTEM
- SPECIFIED BY ENGINEERING FIRMS, HOSPITALS, UNIVERSITIES & GOVERNMENT AGENCIES
- AVAILABLE IN ZINC OR RED

Telecommunications



- INTEGRAL CABLE MANAGEMENT
- SAVE LABOR...INCREASE PROFITS
- FACILITATES MIN. BEND RADIUS REQUIREMENTS
- SUPPORTS CURRENT AND EVOLVING SYSTEMS
- SUPPORTS PoE PLUS
- SPECIFIED BY ENGINEERING FIRMS, HOSPITALS, UNIVERSITIES & GOVERNMENT AGENCIES

RANDL
INDUSTRIES, INC.

P: 509.340.0050 • F: 509.340.0051

See our line of telecom & fire signal boxes at: www.RANDL-INC.com

Making Communications & Fire Protection More Reliable & Cost-Effective!

new
PRODUCTS

Liquatite® Zero-Halogen Conduit for Rail, Transit, and Infrastructure Installations

ELECTRI-FLEX COMPANY, Roselle, IL USA, manufactures zero-halogen flexible liquidtight conduit solutions for Rail, Transit, and Infrastructure installations. These Liquatite® conduits are American-made, down to the materials they're made with, and both Buy America and Buy American (ARRA) Compliant.

Types ZHLA and ZHSS are engineered for added safety in confined public areas due to their low flame spread, low smoke, and self-extinguishing halogen-free polyurethane jacketing. These conduits provide durable protection from corrosion, sunlight, chemicals, oils, hydrocarbons, ozone, rodents, and more. Perfect for critical applications such as subways, tunnels, bridges, ventilation connections, lighting whips, raceway installations, and more.

Type ZHLA is a non-halogen, low smoke, low flame spread jacketed metallic flexible conduit, and a trusted choice for applications where limiting toxic materials of combustion is critical. Backed by UL and CSA certifications, including CSA "Heavy Duty," ZHLA delivers excellent rugged protection. The core is made from hot-dipped galvanized steel, providing some corrosion resistance.

Type ZHSS, though non-UL, is similar in design and construction to Type ZHLA, but offers the highest level of corrosion resistance with its stainless-steel core. Both conduits offer a zero-halogen polyurethane jacket that is resistant to sunlight, ozone, hydrocarbons, and moderate chemicals and oils. They meet the requirements of Bombardier SMP 800-C for Toxic Gas Generation and ASTM E662 for Smoke Generation.



For more information, visit
www.electriflex.com



CableMaster FO Power Meter Offers Compact and Convenient Testing Tool for Fiber Optic Cable

Softing IT Networks, the innovation leader of Ethernet cable certification testing, Ethernet speed performance testing and Ethernet infrastructure testing just extended its tester portfolio to include the CableMaster PoE. This dedicated power over Ethernet (PoE) cable tester extends the CableMaster product series which includes the CableMaster 210 wiremapper.

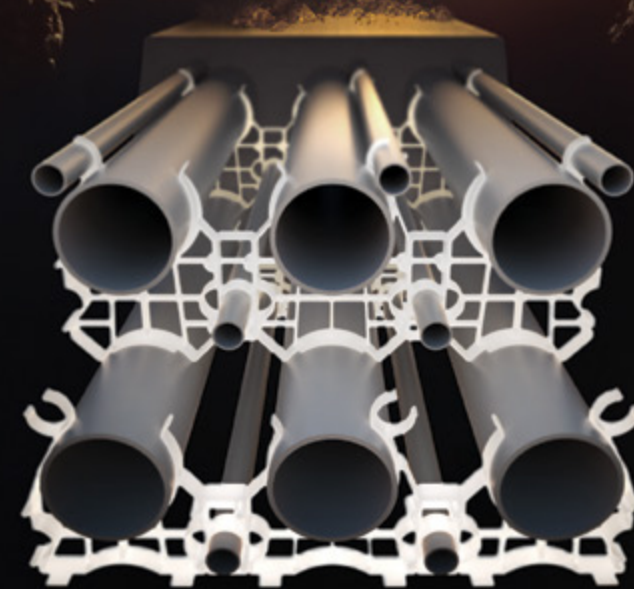
The CableMaster FO is a fiber optic power meter capable of measuring 7 different wavelengths. Power can be measured in decibel-milliwatts (dBm), decibels (dB) or milliwatts (mW). This optical power meter includes a visual fault locator for port and polarity detection and an attenuation meter for seven signal wavelengths in dB. To determine signal strength, the device's power meter provides measurements in dBm and mW. It also features a flashlight to assist in dark wiring cabinets and includes a copper RJ45 patch cord tester for checking wiremaps.

Designed as a pocket-sized tool, CableMaster FO is portable across the jobsite and features a USB-rechargeable battery capable of up to 80 hours of operation. All measurements are easily readable on the device's clear digital display.

Applications include measuring fiber light loss or signal strength at the opposite end of a fiber. »CableMaster FO is a great example of how Softing creates portfolio advantage,« says Deane Horn, Director of Marketing for Softing Inc. »After connecting the LinkXpert M3, a fiber network infrastructure tester, to inject a light source into the fiber, you can use the pocket-size CableMaster FO tester to measure the attenuation at the other end of the cable.« Similarly, the CableMaster FO can read the power of any fiber line that has an SFP.

For more information, visit
www.itnetworks.softing.com/us

THE SECRET TO
**UNDERGROUND
POWER
TRANSMISSION**



OUR WUNPEECE TRANSMISSION SPACERS REDEFINE THE INDUSTRY STANDARD FOR UNDERGROUND POWER TRANSMISSION INSTALLATIONS. WITH PRECISION ENGINEERING AND UNMATCHED QUALITY,

JOIN THE RANKS OF INDUSTRY LEADERS WHO TRUST UNDERGROUND DEVICES FOR THEIR POWER TRANSMISSION NEEDS.



VISIT WWW.UDEVICES.COM

AND EXPERIENCE THE FUTURE OF UNDERGROUND POWER INSTALLATION

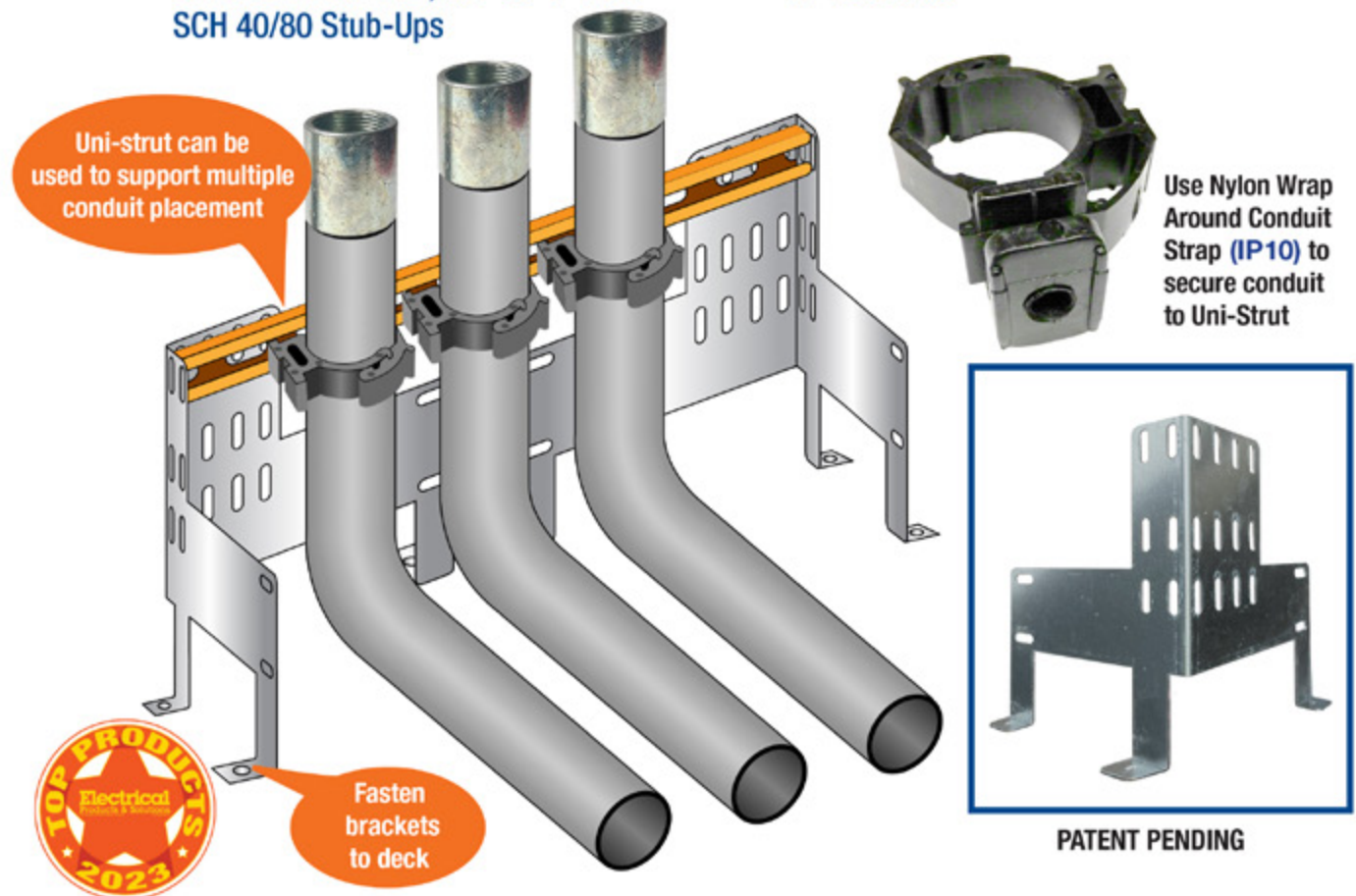


EZ Stub-Up SUPPORT BRACKET

- Support and secure multiple conduits and sizes with brackets and/or uni-strut at a single stub-up location
- Use nylon wrap around conduit straps, minerllacs, one-hole straps or Ty wraps to secure conduit to bracket or uni-strut
- 16 guage galvanized steel
- SUITABLE FOR 1/2", 3/4" or 1" PVC SCH 40/80 Stub-Ups

INSTALLATION:

1. Position bracket on deck before the concrete pour
2. Fasten bracket to deck
3. Secure conduit to bracket or uni-strut with nylon wrap around conduit straps, minerllacs, one-hole straps or Ty wraps
4. Pour slab



2023 NECA
Show Stopper
 WINNER



Perfect for Poured Precast Decks!



PATENT PENDING
 PATENTED

LABELS APPLY TO PRODUCTS ONLY WHERE SHOWN ABOVE



new
PRODUCTS

Leviton Unveils New Decora Smart Wi-Fi ELV/LED Phase-Selectable Dimmer with Premium Performance and Wide Fixture Compatibility

Designed for use with electronic low voltage (ELV) lighting, new dimmer adds smart control to a broad range of LED, CFL, Incandescent, and Halogen lighting



Leviton recently announced the launch of the Decora Smart Wi-Fi ELV/LED Phase-Selectable Dimmer (D2ELV), an addition to the Decora Smart Wi-Fi portfolio of accessible smart devices. This versatile dimmer offers premium lighting control and performance for professional and consumer applications at a cost-effective price. The new Decora Smart offering works with My Leviton, Matter, and popular smart home platforms like Amazon Alexa, Google Assistant, Samsung SmartThings and Apple Home.

Designed for seamless integration with a wide range of lighting types including ELV, LED, CFL, incandescent, and halogen, the new Decora Smart dimmer is the ultimate out-of-the-box solution for smart control of undercabinet, toe-kick, track, recessed, accent, or tape lighting and is ideal for adding a sophisticated ambiance to any home. Homeowners and contractors can choose between forward or reverse phase dimming modes for broad compatibility and smooth dimming performance with LED lighting. They can also easily fine-tune settings with thoughtful features such as dimming range options and fade rates to gradually turn lighting on and off via the My Leviton app or directly at the device, providing optimal performance across a diverse range of lighting load types.

“As homeowners and professionals continue to seek capable, customizable, smart solutions, our new Matter-enabled Decora Smart ELV/LED dimmer delivers a high-quality dimming experience for while maintaining premium performance,” said James Shurte, senior product manager of smart home for Leviton. “Adding to the award-winning Decora Smart portfolio, Leviton’s newest dimmer elevates any home with seamless smart lighting control across a wide range of applications.”

For more information, visit
www.leviton.com



Cementex Launches Only Fully Insulated Flexible Inspection Mirror on the Market

Insulated Inspection Mirrors Offer Enhanced Flexibility and Safety

Cementex, the safety tool specialists, announces the launch of the only fully insulated flexible inspection mirror on the market. This innovative 1000 VAC / 1500 VDC safety tool allows electrical workers to precisely bend the mirrors to meet the unique needs of each project while also protecting professionals with Cementex’s proprietary insulating material and double-insulation.

Available in two sizes of round or rectangular shapes and crafted with high quality mirrored glass, electricians can choose from a range of stock and custom product variations to find the perfect fit for their projects. Cementex’s new inspection mirrors also come in two lengths, the 12” length and the 25” length, with the longer version ensuring the safest working conditions.

These flexible mirrors empower professionals to confidently conquer OSHA, NFPA 70E, and CSA-Z462 rules and regulations. The combination of double insulation and complete flexibility eliminates any risk that the hinge at the bend might touch any equipment if the collar is not positioned correctly. The mirrors also come with protective covers to keep the glass from getting scratched in storage or transit, protecting quality equipment that protects quality professionals.

For more information, visit
www.cementexusa.com

Picking Up and Installing a KUIKBOX
Is as easy as 1, 2, 3!

**BUILT
IN THE
USA**

1 
Grab a KUIKBOX

2 
Pick Any Square Cover

3 
Install in Minutes!

KUIKBOX

Electrical Enclosure System

Think Simpler. Design Better.



**SEE US AT
NECA
BOOTH # 527**

DISTRIBUTORS WANTED!

HOME OF THE KUIKBOX

42906 Colony Road • Olivet, S. Dakota 57052
kuikbox@gmail.com • For more info, visit kuikbox.com

Sun Valley Lighting Introduces Versatile Four-Sided Traditional Coach Lanterns for Exceptional Area and Roadway Lighting

New series of traditional four-sided lanterns offer superior performance and scalability with 17 optical distributions for ultimate roadway and outdoor lighting



Sun Valley Lighting, a leading American manufacturer of traditional area and street lighting, introduces the versatile Traditional Coach Lantern (TCL) Series, adding to Sun Valley's original specification coach lantern, The Colonial. The TCL is available in high power white and true amber LEDs for exceptional area and roadway lighting performance. The lantern features Sun Valley Lighting's high-performance PLED engineered optical system, clear patterned acrylic and white opal acrylic lens as well as no lens options, and a variety of color finishes at a lower price point.

BABA and Dark Sky compliant with a U0 BUG rating for specific configurations, the lanterns feature PLED emitters arrayed on a metal core PCB panel with each emitter located on a copper thermal transfer pad and enclosed by an LED refractor. The LED optics completely seal each individual emitter to meet an IP66 rating. In asymmetric distributions, a micro-reflector inside the refractor re-directs the house side emitter output towards the street side, maximizing usable light.

Available in warm white, (2700K & 3000K), neutral white (4000K) and cool white (5000K), the TCL Series offers high-power white LEDs that have a minimum of 70 CRI. In addition, its TRA-True Amber LEDs emit light in the amber spectral bandwidth centered on 585-590nm. True Amber has negligible blue light and is suitable for wildlife. An optional ambiance lens provides low luminance reduced glare distributions. The lens diffuses the PLED optics and provides a more uniform luminance across the aperture reducing glare at all angles.

Designed in two sizes, 18 inch and 21 inch to provide proper and scale and proportion at various mounting heights, the high-performance TCL Series features A-356 low copper aluminum alloy, heavy gauge, precision cast construction with stainless steel hardware, a precision finished heat sink and Super TGIC polyester powder coat finish for long-term performance. The hinged top provides easy access to field replaceable and field rotatable LED modules. In addition, the Trulevel System® ensures plumb installations every time.

The TCL Series accepts an input of 120-277V, 50/60Hz or 347V-480V, 50,60Hz with 0-10V dimmable driver. The lanterns have a TM-21 L83 rated 100,000-hour performance life. The drivers are UL and cUL recognized and have a minimum operating temperature of -40°F/-40°C.

For more information, visit
www.usaltg.com



WallMax™ Thin Cutoff Adjustable Wall Packs

The WallMax Thin Cutoff is a versatile full cutoff wall fixture with an aesthetically pleasing look. It offers CCT and wattage selectability as well as changeable lenses. The housing is adjustable empowering the customer to create a variety of distribution patterns. Included standard is a photocell that can be turned on or off by the customer.

- CCT selectable 3000K/4000K/5000K
- 4 wattage selectable models, 2 fixed
- 2 fixture sizes
- Lumen output: 2,110 - 16,320lms
- Changeable lenses & adjustable housing
- Integral photocell standard
- Battery backup option
- c-Max controls compatible
- DLC Premium

For more information, visit
www.maxlite.com

Affordable test equipment for 2024



Spitfire - Buried Low Voltage Cable Fault Locator

- ◆ Accurate
- ◆ Easy to use
- ◆ High energy output
- ◆ Proven reliability
- ◆ Compact design
- ◆ Lightweight

Impulse Phaser - Cable / phase system

- ◆ Accurately identifies cables in trenches, vaults, conduits and enclosures
- ◆ Identifies jacketed, shielded, cables, even in pipe
- ◆ Accurately identifies phases in multi-conductor cables
- ◆ Easy to understand and use

Wayfind'r - Impulse cable tracer

- ◆ Accurate
- ◆ Easy to use
- ◆ Connects directly to energized cables
- ◆ Distinct signal for easy tracing
- ◆ Traces direct buried and cables in conduit
- ◆ Rugged, compact design



TIMCO INSTRUMENTS, LLC

Phone: (401) 539-7120 Fax: (401) 539-6018

www.timcoinstruments.com




advertiser
INDEX

This advertiser index is compiled as a courtesy to our readers. While every effort is made to provide a complete and accurate listing of companies and page numbers, the publisher is not responsible for errors. **Click the company name or page number to see their advertisement.**

Company	PG#	Company	PG#
AMERICAN CONDUIT	17	MILLER SAFETY CONSULTANTS, LTD	7
APPLETON / EMERSON	13	RANDL INDUSTRIES	23
APPLETON / EMERSON	15	SILTEC USA, INC	1
CONDUIT REPAIR SYSTEMS	4	SP PRODUCTS INC	3
ELECTRI-FLEX COMPANY	11	SP PRODUCTS INC	19
iTOOLco	IFC	SP PRODUCTS INC	26, 27
iTOOLco	21	SP PRODUCTS INC	BC
iTOOLco	IBC	TIMCO INSTRUMENTS, LLC	31
KRENZ & COMPANY	32	UNDERGROUND DEVICES	5
KUIKBOX	29	UNDERGROUND DEVICES	25

When it comes to transformer cooling fans, Krenz-Vent is the industry recognized gold standard. Our leadership position is earned through 80+ years of R&D plus our superior engineering and customer service. You can rest easy when you specify Krenz fans.

ENGINEERED TO COOL
There is no comparison.



KRENZ & COMPANY, INC.
KRENZVENT.COM • 262.255.2310 • KRENZ@KRENZVENT.COM

ALL THE INFORMATION YOU NEED IS JUST A CLICK AWAY AT **WWW.EPSMAG.NET**



Electrical Products & Solutions

Transition Couplings
PVC Bell End Adapter
Galvanized Rigid Conduit - 1/2" thru 6"

Warming Up to Electrical Heating Cables

WHAT'S NEW

- Conduit Repair Systems, Inc. The World Leader in Split Conduit Products
- DMF Lighting Expands its M Series Commercial Collection with High Lumen Packages for Hospitality and Mix-Use Spaces
- New Multi-Tester from Klein Tools Combines Core Electrical Products into One Model
- RPS Launches SlowWave Filter To Safeguard Motor and Cables

CORDLESS CANNON 6K

iTOOLco.
WWW.iTOOLco.com | 865.670.3713



Speed, versatility, and performance are all yours with iTOOLco's Cordless Cannon 6K™. This portable 6,000 lb. puller is intuitively designed to handle all of your day-to-day wire pulls.

The built-in capstan switch automatically turns the puller on and off. Simply tug on the rope to start the pull and slack off the rope to shut it down. Delivers dynamic performance in remote locations or areas where power is not yet available.





SPPRODUCTS, INC.

Productivity and value thru ideas
FOR SAFER BETTER FASTER JOBS



We're Proud to be the Electricians' Friend for Over 50 Years!

IP5

"The Original"

Enter Any KO on Both Sides of the Box



IP19/20

4-Conduit Block
PATENTED

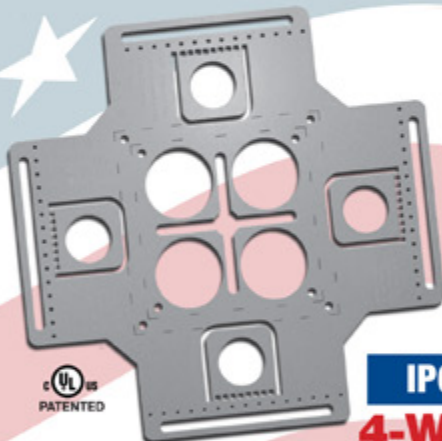
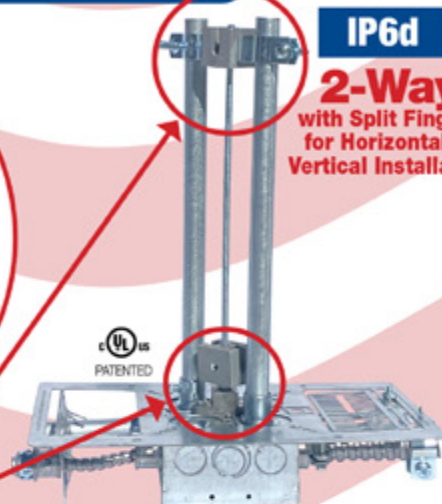
IP21a

QwikBlock
PATENT PENDING

Use 4-Conduit Block (IP19 or IP20) with QwikBlock (IP21a)

IP6d

2-Way
with Split Fingers for Horizontal or Vertical Installation



IP6

4-Way

Enter Any KO on All 4 Sides of the Box Plus 4 Large Open KOs in Center Allows Entering Back of Box

IP6a

2-Way/Half

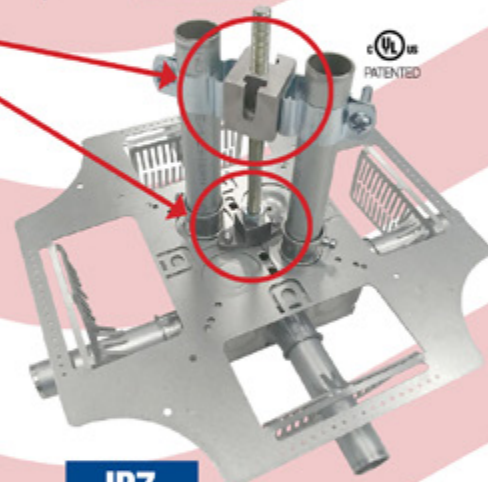
Enter Any KO on 1 or 2 Sides of the Box Plus Large Open KOs in Center Allows Entering Back of Box



MADE IN THE USA!

Plus More Being Invented for *SAFER BETTER FASTER* Jobs . . . Call With Your Ideas!

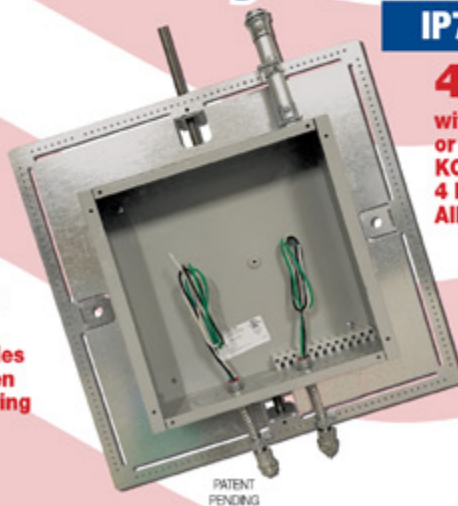
SPProducts.com 800-233-8595 info@SPProducts.com



IP7

4-Way

with Split Fingers for Horizontal or Vertical Installation. Enter Any KO on All 4 Sides of the Box Plus 4 Large Open KOs in Center Allows Entering Back of Box.



PATENT PENDING

IP8

Mount Horizontally or Vertically from One Single Support

20 x 20

Supports up to 12 x 12 J-Box

28 x 28

Supports up to 20 x 20 J-Box