

Electrical Products & Solutions™

April 2026

The Purchasing Guide for Electrical Contractors

www.epsmag.net

Manufacturers' Directory

A List of Our Industry's
Leading Manufacturers
and Suppliers



PLUS
Company
Profiles

The Best of the Best?
You Decide.

To visit an advertiser's website,
simply click the QR Code or
Company Name in their ad.

iTOOLco.

CANNON 12K

**THE TOUGHEST
WIRE PULLER YOU'LL EVER USE!**



EXTRA EXTENSIONS:
giving you up to 13' of wire from
the conduit opening.



SIX SPEEDS:
Dual capstans with 3 speeds
on each AND reverse gear!



12,000 Lb. pulling capacity.



**Dual capstans with a 3
speed motor.**



**Overhead, underground
and side pull capabilities.**

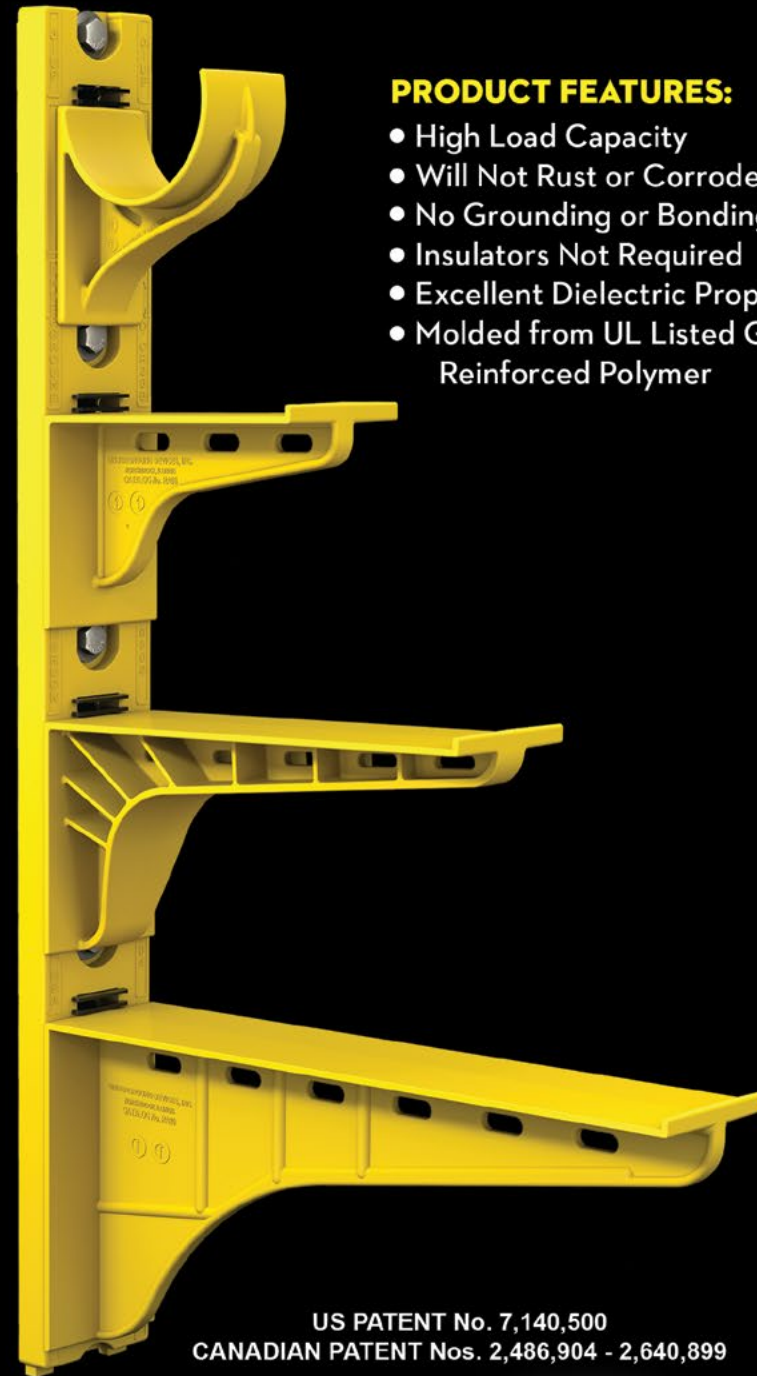
The Heavy Duty Nonmetallic CABLE RACK

For Power and Communications Manholes And Vaults



PRODUCT FEATURES:

- High Load Capacity
- Will Not Rust or Corrode
- No Grounding or Bonding
- Insulators Not Required
- Excellent Dielectric Properties
- Molded from UL Listed Glass Reinforced Polymer



US PATENT No. 7,140,500
CANADIAN PATENT Nos. 2,486,904 - 2,640,899



HDL Arm Lock shown with
RA04 Arm and CR36-B Stanchion



3HDS - 3" throat saddle shown with
a cable secured by cable ties.



RA08 - 8" arm shown with three
cables secured by cable ties.

**UNDERGROUND DEVICES
INCORPORATED**



420 ACADEMY DRIVE
NORTHBROOK, IL 60062
Phone: 847-205-9000 • Fax: 847-205-9004
Website: www.udevices.com



BASETEK, LLC

BASETEK, LLC, FOUNDED IN 2001, specializes in the design and build of proven polymer composite bases and filled weldments for a broad range of industries. They are the market leader in polymer concrete baseplates for the rotating equipment industry. BaseTek offers a complete line of pre-engineered and custom baseplates, including their new line of custom housekeeping pads.

Polymer composite Housekeeping Pads are designed to keep the installation simple. Precast composite pads are built to fit your specific project with key features included and ready to install when they arrive on the jobsite. Pads eliminate the time associated with forming, pouring, and proper curing of conventional concrete. These non-conductive, corrosion resistant pads can include custom cut-outs with stainless

threaded inserts to quickly mount equipment. Counterbore anchoring and bottom access is an option. Made from Zanite® Plus polymer composite, these precast pads are designed for high compressive loads and approved for seismic applications. Available for quick delivery and easy installation. They are built to last and outperform conventional concrete in every way.

BaseTek's state-of-the-art, climate

controlled 32,000+ Sq. Ft. manufacturing facility in Middlefield, Ohio U.S.A. is a turnkey operation with a staff of industry experts who bring over 25 years of combined casting experience.

Bases are manufactured of Zanite® Plus, a proprietary polymer concrete material. It is a blend of pure silicon dioxide, ceramic quartz aggregate and high strength epoxy resins. BaseTek bases deliver a solid, unmatched surface flatness and provide increased physical properties that surpass lower grade vinyl ester composites and fiberglass. They are corrosion resistant and offer higher tensile, flexural and compression strength than vinyl ester.

BaseTek's goal is to consistently supply its customers with the highest quality part, at the lowest possible cost. □

BASETEK
L L C

ZANITE PLUS POLYMER COMPOSITE

A base you can build on.

Call us today **877.712.2273**

PRECAST POLYMER HOUSEKEEPING PADS

- **Customized** to fit your exact project
- **4X Stronger** than traditional concrete pads
- **Rapid Installation** and Labor Savings
- **Stainless Steel** inserts for mounting equipment to the pad
- **Counter Bore** anchoring to existing concrete
- **Excellent** Corrosion Resistance
- **Flexibility and Options:**
 - Bottom access
 - Exact sizes
 - Dedicated handling and lifting



SET YOUR PRECAST POLYMER PAD AND MOUNT YOUR EQUIPMENT THE SAME DAY!

GO GREEN
environmentally friendly

Reuseable— just unbolt and move

For more visit
basetek.com or
info@basetek.com



Built to last and outperform. We guarantee it.

Protect Yourself

Miller Safety Consultants — A Leader in Arc Flash Protection

Vince Miller started Miller Safety Consultants, a veteran owned business in 1999. The goal of the business was to provide cost effective safety consulting, employee training such as: confined space entry, fall protection, electrical safety and provide sales of electrical shock and flash protective equipment and fall protection equipment to businesses in the Washington DC area.

Reliance Industries provided fall protection products and much of the sales and training was on behalf of the supplier. In 2000, the owner decided to retire from his business, and Vince decided to discontinue the fall protection line of his business and concentrate more in the electrical training and products.

Vince had been a distributor for Certified Insulated Products (CIP), a manufacturer of electrical insulated tools and electrical arc flash clothing manufactured by Otex in Rochester, New York. As a distributor, Vince provided sales through his internet website and much through relationships with electrical contractors. His training was a classroom environment and was provided directly to customers but he also taught as a sub-contractor for other safety consulting companies and the Chesapeake Safety Council in Baltimore,

Maryland. In 2005, Vince partnered with Vivid Learning Systems in Cascades, Washington to provide on-line training in safe work practices.

Training in electrical safe work practices is still provided locally in the Washington DC area and as a partner with an electrical engineering firm and online. The training is based on the Occupational Health and Safety Administration (OSHA) standards and the National Fire Protection Association (NFPA) 70E standard.

Miller Safety Consultants is now a distributor for Cementex USA, Burlington, New Jersey, for insulated tools and equipment and clothing from OTEX Protective, Rochester, New York.

The majority of his sales of products are from the web-based store. Cementex is nationally known for their quality equipment. Otex Protective is becoming

more known for their quality clothing. For years, they have manufactured their products under other provider labels. Vince chose to not create his clothing line, but to sell the manufacturer product.

Vince has worked with many electrical company employees to fine-tune the clothing to be more comfortable for the user. Working closely with the manufacturer, they have made slight changes in how the cloth pattern was modified to meet final production. An example is the lightweight 40 Calorie vented hood offered by Otex.

The material is of the latest technology. The vented assembly is constructed for balance on the back of the hardhat and the airflow is 27 CFM to prevent fogging of the face shield and provide cooling to the worker. It took over a year to develop the product with the user prior to having the hood “flash tested”. This product is now standard issue with many electrical contractors.

Being a small business and having quality providers has resulted in satisfied customers for Miller Safety Consultants. Being a direct supplier for OTEX Protective, another small business means customized customer needs can be met. □

For more information, visit
Miller Safety Consultants at:
www.electricalsafety.com, email
Vince at: sales@millersafety.com.

AUTHORIZED
Cementex
The Safety Tool Specialists

DISTRIBUTOR

Give Vince a call at
(703) 367-0404



Deluxe Maintenance Tool Kit



Class O Glove Kit

Protect yourself from “Arc Flash”



We offer two lightweight 40 cal rated systems for employee protection -
PYRAD® Technology by GORE-TEX LABS, single layer and the two layer HYBRID (Protera/Indura) models.
Our unique ION-1 ventilation system uses Milwaukee’s M12 battery and the ION-2 ventilation system uses an internal rechargeable battery and variable speed control.



Both lift hoods feature 25+ CFM ventilators. Adding the patented arc flash sensor automatically disconnects the fan power to stop the air flow and maintain a safe breathing zone within the hood.



CALL US TODAY

(703) 367-0404

OR VISIT OUR ONLINE ELECTRICAL SAFETY EQUIPMENT STORE
www.electricalsafety.com



THE SECRET TO

UNDERGROUND POWER TRANSMISSION



OUR WUNPEECE TRANSMISSION SPACERS REDEFINE THE INDUSTRY STANDARD FOR UNDERGROUND POWER TRANSMISSION INSTALLATIONS. WITH PRECISION ENGINEERING AND UNMATCHED QUALITY,

JOIN THE RANKS OF INDUSTRY LEADERS WHO TRUST UNDERGROUND DEVICES FOR THEIR POWER TRANSMISSION NEEDS.



VISIT WWW.UDEVICES.COM
AND EXPERIENCE THE FUTURE OF UNDERGROUND POWER INSTALLATION



Appleton™ IJL LED Series Luminaires

Versatile and Adaptable Illumination for Any Environment

Appleton™ IJL LED Luminaires by Emerson are the premier jelly jar LED luminaires for industrial locations that offer versatile and adaptable illumination. With user selectable technology, they allow users to choose from a range of correlated color temperatures (CCT) and/or lumen outputs. Our engineers have developed specially designed optics that provide optimal light distribution – including upright. The IJL LED Luminaires offer multiple mounting options such as wall, ceiling, and pendant, with an adjustable arm that allows precise rotation in 10° increments from 0° to 90°.

Learn More at: www.masteringled.com

APPLETON™

The Emerson logo is a trademark and a service mark of Emerson Electric Co. © 2024 Emerson Electric Co.



Appleton Group Elevates Ty’Nya Larry to Manager of Marketing Communications

Promotion Strengthens Marketing Leadership as the Emerson Division Accelerates Brand Growth Across Key Industrial and Commercial Segments

Appleton Group, an electrical products division of Emerson with brands including Appleton™, O-Z/Gedney™, EasyHeat™ and SolaHD™, today announced the promotion of Ty’Nya Larry to Manager of Marketing Communications, effective immediately. This strategic appointment reinforces Emerson’s commitment to Integrated, data-driven marketing excellence and positions Appleton Group to accelerate brand momentum across commercial and industrial markets.

Ty’Nya Larry brings a proven track record of cross-functional marketing leadership and technical acumen to the role. Over the past four years as Product Marketing Manager, she has delivered measurable success at the critical intersection of product management, project management, and product marketing—elevating brand performance for EasyHeat™ and Nelson™ electric heat tracing systems.

“Ty’Nya’s combination of engineering expertise and marketing excellence makes her ideally suited to lead our marketing communications strategies,” said Harish Shinde, President of Appleton Group. “Her ability to translate complex technical solutions into compelling market narratives has consistently delivered results, and we’re confident she’ll drive continued innovation in how we connect with our customers and stakeholders.”

In her expanded role, Ty’Nya



Larry will lead the development and execute comprehensive strategies to shape perception and influence of Appleton Group brands, orchestrating integrated campaigns across advertising, public relations, digital channels, and events. She will ensure consistent messaging and brand voice across all touchpoints while leading the marketing communications team and delivering data-driven campaign performance insights to executive leadership.

Ty’Nya Larry’s career trajectory demonstrates sustained excellence in both technical and marketing domains. Prior to her Product Marketing Manager role, she served as an analyst at Emerson, where she leveraged customer data

analytics to define priorities and scope for mission-critical digital tools. Her professional experience also includes positions at Rockwell Automation, ComEd, and McCormick & Company.

A graduate of the University of Illinois Urbana-Champaign with a bachelor’s degree in chemical engineering, Ty’Nya Larry also studied at Universidad Pontificia Comillas in Madrid, Spain—bringing a global perspective to her strategic approach. She is currently an MBA candidate at the University of Illinois Chicago, further enhancing her business strategy and organizational leadership capabilities.

For more information, please visit www.appletonelec.com. □

ABOUT APPLETON

Choose Appleton electrical products by Emerson for unbeatable performance in tough environments like oil rigs, paper mills, chemical plants, factories, and construction sites. Our products withstand water, dirt, salt, chemicals, fumes, and extreme temperatures, ensuring reliable operation and safety. Rigorous testing guarantees they excel in both hazardous and safe conditions, preventing injuries and maintaining smooth production. Trust Emerson for your industrial electrical needs.



IWL LED Series Luminaires

Wall Pack LED Lighting for Industrial Facilities

The Appleton™ IWL LED Series Luminaires by Emerson are designed to provide safe illumination at outdoor entrance doors and along the exterior of commercial and industrial facilities. Three models — each with three field selectable wattages (lumen outputs) and three field selectable color temperatures — ensure the perfect configuration for your unique application requirements. Improve employee safety and security with the IWL’s bright, cost-efficient illumination.

Learn More at: www.masteringled.com

APPLETON™

The Emerson logo is a trademark and a service mark of Emerson Electric Co. © 2024 Emerson Electric Co.



About Us:



At iTOOLco we build tools that do more than get the job done, they change the way you do it.

Founded by electricians and shaped by real jobsite challenges, iTOOLco designs and manufactures innovative solutions that help contractors work faster, safer, and more efficiently. Our product lineup spans bending, conduit installation, wire pulling, and material handling. Each engineered to eliminate bottlenecks and reduce physical strain in the field.

At the center of that innovation is our line of conduit benders. Built to deliver precision, consistency, and unmatched ease of use. Our B2 Rapid Fire Bender reduces setup time and eliminates guesswork. iTOOLco benders help crews make accurate bends faster, with less effort and fewer errors. It's a smarter approach to one of the most fundamental tasks on the jobsite.

From high-performance drilling systems to cable pullers and labor-saving equipment. Every iTOOLco product

is built with a clear purpose: maximize productivity while minimizing effort. Many of our tools feature patented designs that deliver measurable time savings and long-term value on every project.

We don't chase complexity, we solve problems. Our focus is on durable, reliable equipment that stands up to the demands of daily use and performs when it matters most.

Because the right tool doesn't just make work easier. It pays you back. □

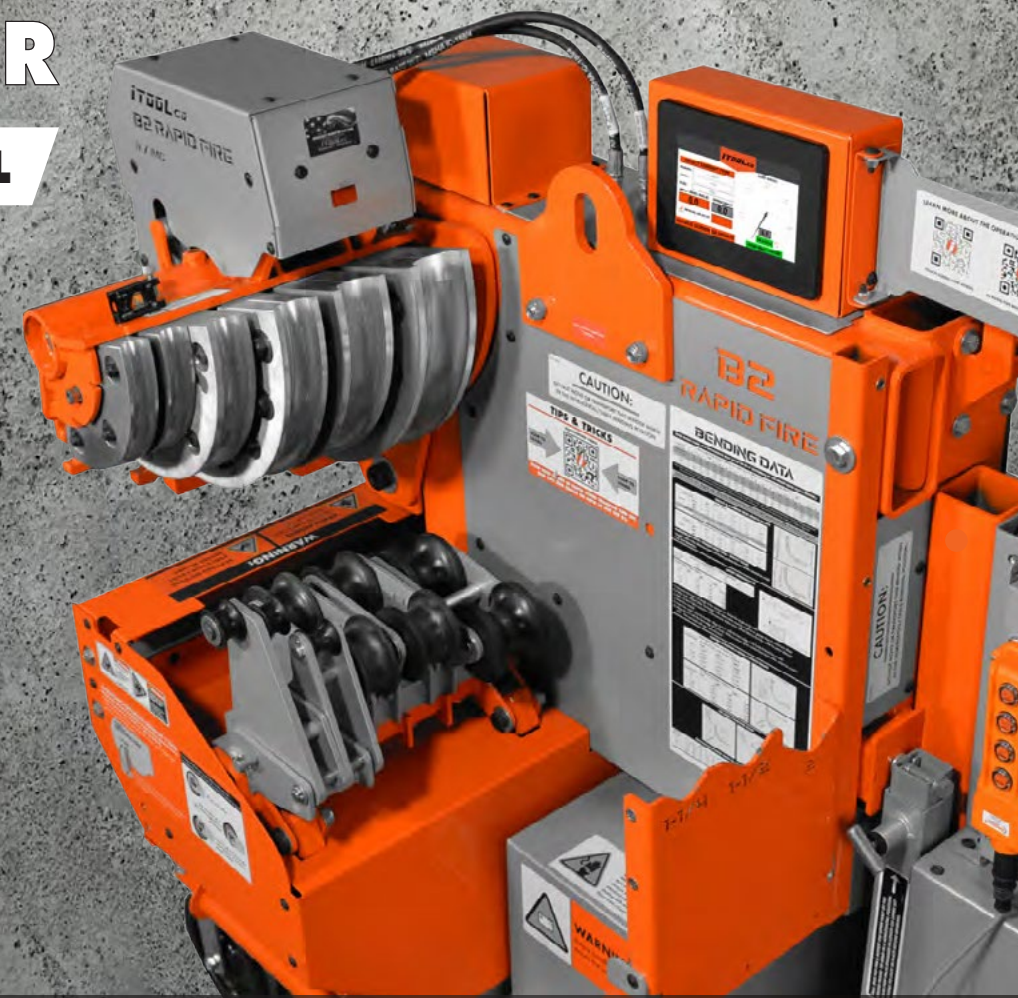
Interested? Give us a call at 865-670-3713. Or visit us online at www.iTOOLco.com.



iTOOLco.

B2 RAPID FIRE BENDER

WITH TOUCH CONTROL



THE FASTEST 2" BENDER ON THE MARKET.

- 4X Faster than conventional benders.
- Touch Control automatically calculates correct bend angle.
- Bends up to 2" conduit.
- One shoe for EMT, IMC, Rigid & Aluminum Conduit.

TOOLS YOU CAN TAKE TO THE BANK!

Kevin Gribbon, President and Founder of Innisfree Tools, started his career in the electrical industry in 1989. A proud second-generation Electrical Worker, who has worked many duct banks; he has scavenged scrap piles and dumpsters looking for the perfect piece of wood to join UG conduit. The 2x4 method was the proven art and how he was taught.

In 2007 his career shifted to the T&D sector managing various business units focused on the overhead (OH) side of the industry. In November 2024 as part of a project he was involved with, another contractor was installing a large duct bank. Within a 30-day span, two recordables occurred in the bank. 1) A ‘stuck-by’ incident, caused when one worker missed the 2x4 and hit his partner in the shin with the mallet. 2) A worker suffered ‘soft-tissue’ damage to his wrist from the constant pounding on the 2x4.

Surprised we were still digging tools out of the scrap pile, Kevin’s search for better methods came up empty. In February 2025, Kevin started fabricating

tool prototypes. His focus was not to change the proven art but to make it safer and more efficient.

Seven months later, KNOCK’ER-IN (Patent Pending, Made in U.S.A.) debuted at NECA 2025 Chicago and was awarded ‘Show Stopper Winner’. The tool was also recognized as Electrical Products & Solutions ‘Top Products 2025’. Industry experts recognize and appreciate improvements to the proven art. The molded polyurethane block coupled with a fiberglass handle and rubber handgrip, provides a cushion for every blow. The positioning-shoe offers stabilization through the strike. Built with a concave-arch bottom...

because sometimes you need to KNOCK’ER-OFF.

Innisfree Tools also provides the 3-24 HAMMER; a mallet of proper weight and length geared specifically for UG conduit work, as well as ROLL’ER-ON; solvent and lubricant application components. These disposable brushes are built for speed and will cut your glue time in half. You can take that to the bank!

Innisfree Tools is a family business where God, Family & Country are the pillars. KNOCK’ER-IN: SKU# D229391 memorializes their first-generation Electrical Worker. Founded in March 2025, ‘INNISFREE’ was chosen as a connection to family heritage and tribute to Kevin’s mother. “The Lake Isle of Innisfree” – poem by William Butler Yeats, hung in his childhood home and now hangs in his. Kevin believes, “It’s where we go, when our work is done.”

With positive feedback and +75% of sales being generated from repeat customers. The Innisfree Family is grateful and excited to see what their second year will bring. □



TOOLS YOU CAN TAKE TO THE BANK!



KNOCK’ER-IN
MADE IN U.S.A.
www.innisfreetools.com

FOR MORE INFORMATION CONTACT:
INNISFREE TOOLS, LLC
info@innisfreetools.com

ROLL’ER-ON
www.innisfreetools.com

AUTHORIZED DISTRIBUTOR OF

Cementex

The Safety Tool Specialists



Deluxe Geared Maintenance Tool Kit

Cementex Double-insulated Tools:

- Comply with the IEC 900 standard
- Comply with ASTM F1505-01 standard
- Help you meet requirements of OSHA Safety Related Work Practices, NFPA 70E Standard and CSA-Z462

Cementex Double-insulated Tools are:

- Tested to 10,000 VAC and rated for 1,000 VAC when working on live parts
- Manufactured in the USA with domestic and global materials.
- Marked with the international safety symbol - (double triangle) 1000V

Class 00 Arc Flash Glove Kit

Class 00 arc flash glove kit from Cementex is a good option for a reliable kit for work with 500 Volts or less. The gloves are made of natural rubber construction, offering the required dielectric properties combined with flexibility, strength, and durability. Gloves feature rolled cuffs, and are anatomically shaped thereby reducing hand fatigue. Each glove is chlorinated for maximum comfort.

Components of Cementex IKG00-11 glove kit:

- 11" long Class 00 rubber insulating gloves
- Leather protectors
- Canvas storage bag



CALL US TODAY

(703) 367-0404

OR VISIT OUR ONLINE ELECTRICAL SAFETY EQUIPMENT STORE

www.electricalsafetyequipment.com



MADE IN AMERICA, FOR AMERICA

At Electri-Flex, we are proud to do our part in rebuilding America by providing top-quality, domestically sourced conduit made right here in the U.S. Our industry-leading Liguatite® flexible conduit line is second to none, offering options for virtually every application, from data and defense to transit, rail and bridges. And backed by more than 65 years of family ownership, we look after your business as if it were an extension of our own. Because we believe that America deserves the best.

Electri-Flex.

**Rebuilding our infrastructure
at every turn.**

DISTRIBUTORS NATIONWIDE

**ALL PRODUCTS PROUDLY
MADE IN THE USA**



electri-flex

liquatite®

ELECTRI-FLEX COMPANY

222 West Central Ave
Roselle, IL 60172-1994 USA

Toll-free phone (U.S.): 1-800-323-6174
Phone: (630) 529-2920



www.electriflex.com



“Proud to be the Installers’ Friend” DO JOBS SAFER - BETTER - FASTER



WE BEGAN IN 1966 based on more than just making a fair profit. S-P Products Inc’s philosophy and dedication to making valid contributions to the industry began with “Econo-Whips”; no-center stop couplings and prefabricated assemblies. Our first whip machine we produced was in 1969; any size, length, steel or aluminum flexible conduit, MC Cable, Liquidtite, Cord Romex, etc., with any type connectors attached. Then we moved to wire harnessing by innovating industry with “one pull and you’re done” concept thus minimizing waste and increasing efficiency. We moved on with our UL Listed Qwik Duct templates meeting job and engineer specifications on many high profile jobs throughout the country.

Safer-Better-Faster jobs and provide opportunities with fair compensation for current and future generations in this country.

We develop and promote products that accomplish these goals and are proud to being the electrician’s friend by providing them the satisfaction of making valuable contribution to the industry and receiving fair compensation for their ideas. We also provide excellent quality and service at competitive pricing.

Our motto is to care for our country, industry and electricians by encouraging everyone to buy and install quality Made in the U.S.A. innovative products for

S-P Products provides labor saving devices and products to ease electrical



Our motto is to care for our country, industry and electricians by encouraging everyone to buy and install quality Made in the U.S.A.

construction projects.

Products like EZ PULL EZ READ Wire Harnesses, Qwik Duct Templates, Transition Fittings, Conduit and Box Support Plates and Trapeze Brackets are some of our high quality, innovative products providing certifications and meeting industry standards .

Many of our products have been invented by experienced electricians. We are very proud of being a dedicated NJATC Training partner, striving to improve our industry any way possible.

Our manufacturing facilities help keep electricians off the bench and good paying jobs in our country.

Think of us as your Prefab shop to meet all high demand requirements and fast paced projects by bidding quicker and securing more jobs.

Visit us at www.spproducts.com or call us 1-800-233-8595 with your IDEAS, inquiries and we will be your partner on your road to success. □

We’re Proud to be the Electricians’ Friend for Over 50 Years!

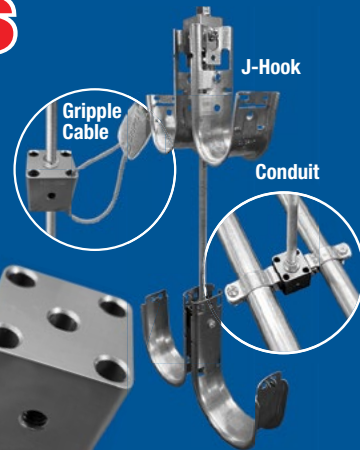
IP19

4-Conduit Block

Vertical support from only one 1/4”, 3/8” or 1/2” threaded or threadless rods 1/4” or 3/8” threaded holes on the side along with slots for hex head bolts for hardware are provided for conduit support .



New Products Safer Better Faster



IP21a

QwikBlock

Vertical support from only one 1/4”, 3/8” or 1/2” threaded rod by attaching two machine screws 1/4” x 20 thru the existing holes in back of the box Eliminates knocking out center KO on box and traditional nut and washer method to support a single box.

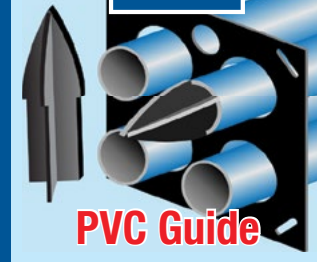


IP20a

Box Support Rod Cubes

Vertical support from only one 1/4” or 3/8” threaded or threadless rod with 4 holes for Gripple applications as well as 4 threaded 1/4” or 3/8” holes for conduit support hardware.

IP3e



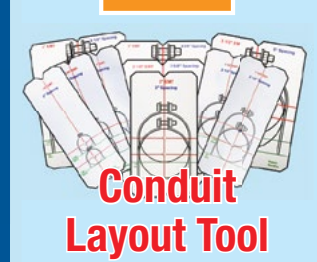
PVC Guide

IP2b



PVC Driver

TE15



Conduit Layout Tool

IP3g



Long Slip PVC

IP3f



Slip PVC/RGD

IP4



EZ Raised Bracket

For more information visit our website at SPProducts.com

Plus More Being Invented for SAFER BETTER FASTER Jobs . . . Call With Your Ideas!

Conduit Repair Systems, Inc.



The old saying, “necessity is the mother of all inventions” holds true for Conduit Repair Systems, Inc. Our split conduit products were originally designed and developed by a cable TV technician and his father-in-law that worked as an engineer. The technician found that he needed a repair product that truly restored damaged PVC pipe to its original state. The technician did some research and found that what he needed didn’t exist at the time. The two men then developed our patented snap together split conduit products. Since the early days of the company, many additional applications for the products have since been discovered including enclosing exposed cables, relocating aerial lines to underground, enclosing cables on bridges, protecting cables on telephone poles, enclosing fiber optics, and relocating cables along roads.

Conduit Repair Systems, Inc. formally began business operations in 1995 and has seen exponential growth ever since. Our company is headquartered in St. George, Utah, which is located about 100

miles North East of Las Vegas, Nevada along Interstate 15. The company chose St. George because of its reputation as the “Palm Springs” of Utah. The warm weather, the world-class golf courses, combined with a very qualified work force made the selection to locate in St. George very easy. Over the past thirteen years Conduit Repair Systems, Inc. has become the world-leading manufacturer of split conduit products. Conduit Repair Systems manufactures split conduit, split couplings, split sweeps, and other related split conduit products specifically designed for electrical, cable TV, and communications applications.

CRS offers its products in a variety of sizes including 1 inch, 1 ¼ inch, 1 ½ inch, 2 inch, 2 ½ inch, 3 inch, 4 inch, 5 inch, and 6 inch.

Conduit Repair Systems, Inc. executive staff consists of highly qualified professionals. The President of the company, David Clove, is a CPA and is also a former Finance Manager for Arizona Public Service. Our National Sales Manager, Paul McMullin, brings twenty years of industry sales experience to the company. All of our manufacturing personnel also have many years of professional experience in the plastics industry.

CRS currently services public utilities, rural electric associations and co-ops, cable TV companies, telephone companies, and electrical contractors through a wide range of distributors located throughout the United States, Canada, Mexico, Japan, Europe, and the Middle East.

If you would like more information regarding our company you can obtain additional information at our website located on the Internet at www.conduitrepair.com.

We believe that no one helps you repair or protect your underground distribution or cable network like

Conduit Repair Systems, Inc.! □

REPAIR CONDUIT IN A SNAP!

No Tape • No Plastic Straps • No Metallic Straps

NO KIDDING!

Designed especially for power, communications and fiber optics.



“The World Leader In Split Conduit Products”



Conduit Repair Systems, Inc.
The World Leader In Split Conduit Products



Robroy Industries Announces Exciting Partnership with the electrical training ALLIANCE

Robroy Industries is proud to announce its new Platinum Level partnership with the electrical training ALLIANCE (etA). This collaboration represents a significant step toward advancing workforce development and upholding the highest standards in the electrical industry. Through this partnership, Robroy and etA will work together on initiatives that include instructional efforts, product donations, and curriculum development, all aimed at equipping the next generation of electrical professionals with the tools and knowledge needed to excel.

In addition, this partnership will provide training on a wide range of Robroy's innovative electrical solutions. This ensures that NECA contractors employing IBEW members stay informed and equipped with the latest advancements shaping the industry.

“At Robroy, we believe in building the future by investing in the people



who will create it,” said Steve Voelzke, President and COO of Robroy Industries. “Our partnership with etA, IBEW, and NECA represents our shared commitment to empowering electrical professionals with the knowledge and tools they need to succeed. Together, we are ensuring the industry continues to grow stronger and more innovative.”

Todd Stafford, Executive Director of the electrical training ALLIANCE,

shared, “We are excited to join forces with Robroy Industries to enhance the training experience for our participants. Robroy’s dedication to quality, innovation, and industry leadership makes them an invaluable partner in our mission to provide world-class training. This partnership will ensure that the electrical professionals we train are equipped with the best tools and resources available.” □

ABOUT ROBROY INDUSTRIES

Founded in 1905, Robroy Industries has been a trusted leader in the electrical products market for over a century. They specialize in manufacturing high-quality products with unmatched performance, including PVC-coated raceways, industrial and food-grade stainless steel raceways, sanitary support solutions, non-metallic enclosures, galvanized elbows, couplings, nipples, and the original Korns clamps. Their brands—Plasti-Bond, Stahlin, AttaBox, Robroy Stainless, Rocket Rack, and ECN/Korns—are recognized for their innovation and reliability in serving diverse industries. For more information, visit www.robroy.com.



ABOUT THE electrical training ALLIANCE

Founded in 1941 by the IBEW and NECA, the electrical training ALLIANCE (etA) develops the official IBEW-NECA apprenticeship courseware and sets national training standards for the electrical industry. Supporting more than 300 local apprenticeship and learning centers, the etA provides tools, resources, and instructor training to ensure consistent, high-quality education. Through a coordinated apprenticeship system, the etA has helped train more than one million apprentices and continues its mission to advance the electrical industry through exceptional training. For more information, visit www.electricaltrainingalliance.org.

ABOUT THE NATIONAL ELECTRICAL CONTRACTORS ASSOCIATION (NECA)

NECA is the voice of the \$240 billion electrical construction industry that brings power, light, and communication technology to buildings and communities across the United States. NECA's national office and 118 local chapters advance the industry through advocacy, education, research, and standards development. For more information, visit www.necanet.org.

ABOUT THE INTERNATIONAL BROTHERHOOD OF ELECTRICAL WORKERS (IBEW)

The IBEW is an international labor organization that has trained the most qualified electricians in the trade for more than 132 years. With approximately 820,000 members in the United States, Canada, Puerto Rico, Guam, and the Republic of Panama, the IBEW has members in construction, utilities, manufacturing, telecommunications, broadcasting, railroads, and government. For more information, visit www.ibew.org.

Affordable test equipment for 2026



Spitfire - Buried Low Voltage Cable Fault Locator

- ◆ Accurate
- ◆ Easy to use
- ◆ High energy output
- ◆ Proven reliability
- ◆ Compact design
- ◆ Lightweight

Wayfind'r - Impulse cable tracer

- ◆ Accurate
- ◆ Easy to use
- ◆ Connects directly to energized cables
- ◆ Distinct signal for easy tracing
- ◆ Traces direct buried and cables in conduit
- ◆ Rugged, compact design

Impulse Phaser - Cable / phase system

- ◆ Accurately identifies cables in trenches, vaults, conduits and enclosures
- ◆ Identifies jacketed, shielded, cables, even in pipe
- ◆ Accurately identifies phases in multi-conductor cables
- ◆ Easy to understand and use



TIMCO INSTRUMENTS, LLC

Phone: (401) 539-7120 Fax: (401) 539-6018

www.timcoinstruments.com



BUSINESS SOFTWARE**DOVE NET TECHNOLOGIES, LLC**

9126 Travener Circle, Suite 100
Frederick, MD 21704
800.355.8302
www.dovenet.com

GROUNDING EQUIPMENT**CONTINENTAL INDUSTRIES**

1140 North 129th East Ave.
Tulsa, OK 74116
800.558.1373
www.thermoweld.com

ERICO INC.

34600 Solon Road
Solon, OH 44139
440.248.0100
800.853.0874 (fax)
www.erico.com

ITOOOCO

1325 Carden Farm Drive
Clinton, TN 37916
865.670.3713
www.itoolco.com

HAND TOOLS**INNISFREE TOOLS, LLC**

1761 Lake Terrace Drive
Eustis, FL 32726
352.552.6645
www.innisfreetools.com

KING INNOVATION

N85 W12545 Westbrook Crossing
Menomonee Falls, WI 53051
262.293.0600
www.kinginnovation.com

MILWAUKEE ELECTRIC TOOL

1024 Pine Hall
Mathews, VA 23109
262.790.6334
www.milwaukeetool.com

PHOENIX CONTACT USA INC

586 Fulling Mill Road
Middletown, PA 17057
800.888.7388
www.phoenixcontact.com

PLATINUM TOOLS

606 Calle Plano
Camarillo, CA 93012
805.384.2777
www.platiumtools.com

SP PRODUCTS INC

730 Pratt Blvd.
Elk Grove, IL 60007
800.233.8595
www.spproducts.com

LIGHTING & CONTROLS**BARRON LIGHTING GROUP**

7885 N. Glen Harbor Blvd
Glendale, AZ 85307
800.533.3948
www.barronltg.com

BERGEN INDUSTRIES

N85 W12545 Westbrook Crossing
Menomonee Falls, WI 53051
262.293.0600
www.bergeninc.com

BREX LIGHTING

1601 Wilmeth Rd.
McKinney, TX 75069
877.273.9533
www.brexlighting.com

CONTRACTOR LIGHTING & SUPPLY

1213 Etna Pkwy.
Pataskala, OH 43062
833.446.7100
www.contractorlighting.com

COST LESS LIGHTING

1213 Etna Pkwy.
Pataskala, OH 43062
833.504.9980
www.costlesslighting.com

DABMAR LIGHTING

2140 Eastman Ave.
Oxnard, CA 93030
805.604.9090
www.dabmar.com

DOUGLAS LIGHTING CONTROLS

4455 Juneau St.
Burnaby, BC V5C 4G4
604.873.2797
www.douglaslightingcontrols.com

EMERSON / APPLETON

9377 West Higgins Road
Rosemont, IL 60018
800.621.1506
www.appletonelec.com

EMIUM LIGHTING

451 Oakwood Rd
Lake Zurich, IL 60047
224.735.3435
www.emium.com

EVLUMA

3600 Lind Ave SW, Suite 140
Renton, WA 98057
425.336.5800
www.evluma.com

FOCAL POINT

4141 S. Pulaski Road
Chicago, IL 60632
773.247.9494
www.focalpointlights.com

GRIPLOCK SYSTEMS, LLC

1029 Cindy Lane
Carpinteria, CA 93013
805.566.0064
www.griplocksystems.com

GRIPLOCK SYSTEMS, LLC

793 Duncan Reidville Road
Duncan, SC 29334
805.566.0064
www.griplocksystems.com

HYLITE LED LIGHTING

911 East White St.
Rock Hill, SC 29730
803.336.2230
www.hyliteledlighting.com

NEXLIGHT

1355 Mendota Heights rd.
Mendota Heights, MN 55120
651.457.800
www.nexlight.com

PHILIPS LIGHTING

200 Franklin Square Drive
Somerset, NJ 08875
732.563.3039
732.563.3325 (fax)
www.lighting.philips.com

REDBIRD LED, INC

1202 GAIL DR NE
BROOKHAVEN, GA 30319
678.733.2473
www.redbirdled.com

SP PRODUCTS INC

730 Pratt Blvd.
Elk Grove, IL 60007
800.233.8595
www.spproducts.com

SYLVANIA OSRAM

1.800.LIGHTBULB
www.osram-america.com/retrofits

TCP INC.

325 Campus Drive
Aurora, OH 44202
330.995.1384
www.Tcpi.com

TENMAT INC.

23 Copper Drive, Unit 3
Newport, DE 19804
800.821.3436
www.tenmatusa.com

TOPAZ

925 Waverly Ave.
Holtsville, NY 11742
800.666.2852
www.topaz-usa.com

UNIVERSAL LIGHTING TECHNOLOGIES INC.

26 Century Blvd., Suite 500
Nashville, TN 37214-3683
800.BALLAST
www.universalballast.com

VOLT LIGHTING

15486 N. Nebraska Ave.
Lutz, FL 33549
813.978.3900
www.voltlighting.com

VOLTEC POWER & LIGHTING

13885 Ramona Ave
Chino, CA 91710
800.486.5832
www.voltecpowerlighting.com

WATT STOPPER / LEGRAND

2800 De La Cruz Blvd.
Santa Clara, CA 95050
800.875.8585
408.988.5373 (fax)
www.wattstopper.com

MISCELLANEOUS**ECM INDUSTRIES**

N85 W12545 Westbrook Crossing
Menomonee Falls, WI 53051
262.293.0600
www.ecmindustries.com

KRENZ & COMPANY

PO Box 187
Germantown, WI 53022-0187
262.255.2310
www.krenzvent.com

PHOENIX CONTACT USA INC

586 Fulling Mill Road
Middletown, PA 17057
800.888.7388
www.phoenixcontact.com

RUNTAL NORTH AMERICA

187 Neck Rd
Ward Hill, MA 01835
800.526.2621
www.runtalnorthamerica.com

POWER QUALITY**CONTINENTAL CONTROL SYSTEMS, LLC**

3131 Indian Rd. Suite A
Boulder, CO 80301
888.928.8663
303.444.2903 (fax)
www.wattnode.com

EMERSON / SOLAHD

9377 West Higgins Road
Rosemont, IL 60018
800.621.1506
www.Emerson.com/SolaHD

GENERAC POWER SYSTEMS

PO Box 8
Waukesha, WI 53187
262.544.4811
262.968.6940 (fax)
www.generac.com

GENERATOR INTERLOCK TECHNOLOGIES

3107 Lanvale Ave.
Richmond, VA 23230
804.726.2448
804.231.1984 (fax)
www.interlockkit.com

MINUTEMAN UPS

1455 Lemay Drive
Carrollton, TX 75007
972.446.7363
972.446.9011 (fax)
www.minutemanups.com

MITSUBISHI ELECTRIC

Power Products
530 Keystone Dr.
Warrendale, PA 15086
724.778.3165
www.meppi.com

RONK ELECTRICAL INDUSTRIES

P.O. Box 160
Nokomis, IL 62075-0160
800.221.7665
www.ronkelectrical.com



SP PRODUCTS, INC.
Productivity and value thru ideas
FOR SAFER BETTER FASTER JOBS



Sealtite/Liquidtite to EMT



**Transitions from
Liquidtite to
EMT in minutes**

**Great for wiring
transformers,
solar systems
& pumps.**

All SP Products Inc.
Transition Fittings are manufactured
for installation to either meet or
exceed in accordance with NEMA TC2,
TC3 or UL 651 specifications

**PATENT
PENDING**



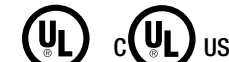
1/2" thru 4"

Transition Couplings

Size	Catalog #
1/2"	50-LT-EMT
3/4"	75-LT-EMT
1"	100-LT-EMT
1-1/4"	125-LT-EMT
1-1/2"	150-LT-EMT
2"	200-LT-EMT
2-1/2"	250-LT-EMT
3"	300-LT-EMT
3-1/2"	350-LT-EMT
4"	400-LT-EMT

**2025 NECA
Show Stopper
WINNER**

SP PRODUCTS, INC
Productivity and value thru ideas



**PATENT PENDING
PATENTED**



LABELS APPLY TO PRODUCTS ONLY WHERE SHOWN ABOVE

730 Pratt Boulevard • Elk Grove Village, IL 60007
P: (847) 593-8595 • F: (847) 593-8629 • Toll-free (800) 233-8595
E: info@spproducts.com • www.spproducts.com

IP13bb

TOSHIBA INTERNATIONAL

13131 West Little York Rd.
Houston, TX 77041
713.466.0277
www.tic.toshiba.com

UNIVERSAL ELECTRIC CORP.

168 Georgetown Road
Canonsburg, PA 15317
800.245.6378
www.uecorp.com

SAFETY & TRAINING

AMERICAN TECHNICAL PUBLISHERS INC.

10100 Orland Pkwy. Ste 200
Orland Park, IL 60467
800.323.3471
708.957.1101 (fax)
www.americantech.net

AVO TRAINING INSTITUTE

4271 Bronze Way
Dallas, TX 75237
877.714.9787
www.avotraining.com

BASETEK, LLC

14975 White Road
Middlefield, OH 44062
877.712.2273
www.basetek.com

CALIFORNIA TURBO, INC.

10721 Business Dr.
Fontana, CA 92337
800.448.1446
www.californiaturbo.com

GEAR ARC SAFETY

600 Sandau Road
San Antonio, TX 78216
210.248.9107
www.geararcsafety.com

HERCULES INDUSTRIES INC.

P.O. Box 197
Prospect, OH 43342
800.345.2590
740.494.2274 (fax)
www.herculock.com

MILLER SAFETY CONSULTANTS, LTD

P.O. Box 386
Manassas, VA 20108
703.367.0404
www.electricalsafetysupply.com

RANDL INDUSTRIES

P.O. Box 14319
Spokane WA 99214-0319
509.340.0050
509.340.0051 (fax)
www.RANDL-INC.com

RECTORSEAL

2601 Spenwick
Houston, TX 77055
713.263.8001
713.263.7577 (fax)
www.rectorseal.com

SP PRODUCTS INC

730 Pratt Blvd
Elk Grove, IL 60007
800.233.8595
www.spproducts.com

TG INDUSTRIES INC.

1821 Highway 15 South
Armstrong, IA 50514
712.864.3737
www.armlift.com

SOLAR POWER

ALLEARTH RENEWABLES, INC.

94 Harvest Ln.
Williston, VT 05495
802.972.9600
www.allearthrenewables.com

NABCEP

56 Clifton County Rd. Ste. 202
Clifton Park, NY 12065
518.289.4859
www.nabcep.org

POWER ONE

3201 East Harbour Dr
Phoenix, AZ 85034
www.power-one.com

QUICK MOUNT PV

2700 Mitchell Dr., Bldg 2
Walnut Creek, CA 94598
925.687.6686
www.quickmountpv.com

SCHNEIDER ELECTRIC / RENEWABLE ENERGIES

132 Fairgrounds Rd.
West Kingston, RI 02892
www.xantrex.com

SEPCO

1521 SE Palm Court
Stuart, FL 34997
772.220.6615
www.Sepconet.com

SP PRODUCTS INC

730 Pratt Blvd
Elk Grove, IL 60007
800.233.8595
www.spproducts.com

TESTING EQUIPMENT

ADVANCED TEST EQUIPMENT

10401 Roselle St.
San Diego, CA 92121
888.554.2832
www.atecorp.com

AEMC INSTRUMENTS

15 Faraday Drive
Dover, NH 03820
800.343.1391
www.aemc.com

ALFRA USA LLC

120 Prairie Lake Road Unit B
East Dundee, IL 60118
847.844.8900
www.alfra-tools.com

AMPROBE

Everett, WA 98203
877.AMPROBE (267.7623)
www.amprobe.com



CANNON iK
ELIMINATE HAND PULLS &
INCREASE JOBSITE EFFICIENCIES.





DRANETZ-BMI

1000 New Durham Road
Edison, NJ 08818
800.372.6832
732.248.1834 (fax)
www.dranetz-bmi.com

**EXTECH INSTRUMENTS/
FLIR SYSTEMS**

9 Townsend West
Nashua, NH 03063
866.477.3687
www.flir.com

IDEAL INDUSTRIES INC.

Becker Place
Sycamore, IL 60178
815.895.1190
815.899.7712 (fax)
www.ideal@idealindustries.com

MEGGER

2621 Van Buren Ave.
Norristown, PA 19403
610.676.8500
610.676.8610 (fax)
www.megger.com

MITCHELL INSTRUMENTS

1570 Cherokee St.
San Marcos, CA 92078
888.270.2690
800.648.2411 (fax)
www.mitchellinstruments.com

POWER PRODUCTS LLC

N 86 W 12500 Westbrook Crossing
Menomonee Falls, WI 53051
262.293.1500
www.actuant.com

REDFISH INSTRUMENTS INC.

911 Laurent Street
Santa Cruz, CA 95060
831.423.7400
www.redfishinstruments.com

**RELIABLE POWER METERS,
A FLUKE COMPANY**

400 Blossom Hill Road
Los Gatos, CA 95032
800.334.3666 • 215.752.3094
www.reliablemeters.com

**SONEL TEST &
MEASUREMENT INC.**

3350 Scott Blvd., Bldg 55 Unit 1
Santa Clara, CA 95054
408.898.2215
www.soneltest.com

SPERRY INSTRUMENTS

N85 W12545 Westbrook Crossing
Menomonee Falls, WI 53051
262.293.0600
www.sperryinstruments.com

SUMMIT TECHNOLOGY, INC.

2246 Monument Blvd.
Pleasant Hill, CA 94523
925.944.1212
925.944.7126 (fax)
www.powersight.com

T3 INNOVATION

808 Calle Plano
Camarillo, CA 93012
805.233.3390
805.283.4507 (fax)
www.t3innovation.com

THOMAS & BETTS CORP.

8155 T&B Boulevard
Memphis, TN 38125
800.888.0211
901.252.1347 (fax)
www.tnb.com

TIMCO INSTRUMENTS, LLC

P.O. Box 100
Rockville, RI 02873
401.539.7120
www.timcoinstruments.com

TOSHIBA INTERNATIONAL CORP.

13131 W. Little York Road
Houston, TX 77041
800.231.1412
713.896.5212 (fax)
www.tic.toshiba.com

UEI TEST INSTRUMENTS

8625 SW Cascade Ave, Suite 550
Beaverton, OR 97008
800.547.5740
www.ueitest.com

WIRE & CABLE

AFC CABLE SYSTEMS INC

272 Duchaine Blvd.
New Bedford, MA 02745
800.757.6996
508.998.1447 (fax)
www.afcweb.com

AMERICAN CONNECTORS

2006 Martin Luther King Freeway
FT. Worth, TX 76104-6303
817.535.6268
www.americanconnectoers.com

AMTEC PULLING GRIPS

30 Center Street
Plainfield, CT 05374
860.230.0006
www.Amtecgrips.com

ATKORE INTERNATIONAL

16100 S. Lathrop Ave.
Harvey IL 60426
800.882.5543
www.atkore.com

AUTAC INC.

25 Thompson Road
Branford, CT 06471
203.481.3444
www.autacusa.com

BICSI

8610 Hidden River Parkway
Tampa, FL 33637
800.242.7405
813.903.4311 (fax)
www.bicsi.org

BRIDGEPORT FITTINGS INC.

705 Lordship Blvd.
Stratford, CT 06615
203.377.5944
203.387.3488 (fax)
www.bptfittings.com

CONDUIT REPAIR SYSTEMS

761 East Enterprise Dr., Unit 1
St. George, UT 84790
800.670.1804
www.conduitrepair.com

Galvanized Rigid Transition Couplings to Schedule 40/80 PVC Stub-Up

When Concrete is Poured and Metal Below the Slab is Needed

Save at Least **1 Hour** per Installation.



Transitions in Less Than 5 Minutes!

Save Cost on the Rigid Nipple, Tape & Labor

Use for Entire Job - Not Just for Repair

See Our Conduit Plug See page IP27c



See Our REAMING BITS for Transition Couplings



See page IP15

PATENT PENDING

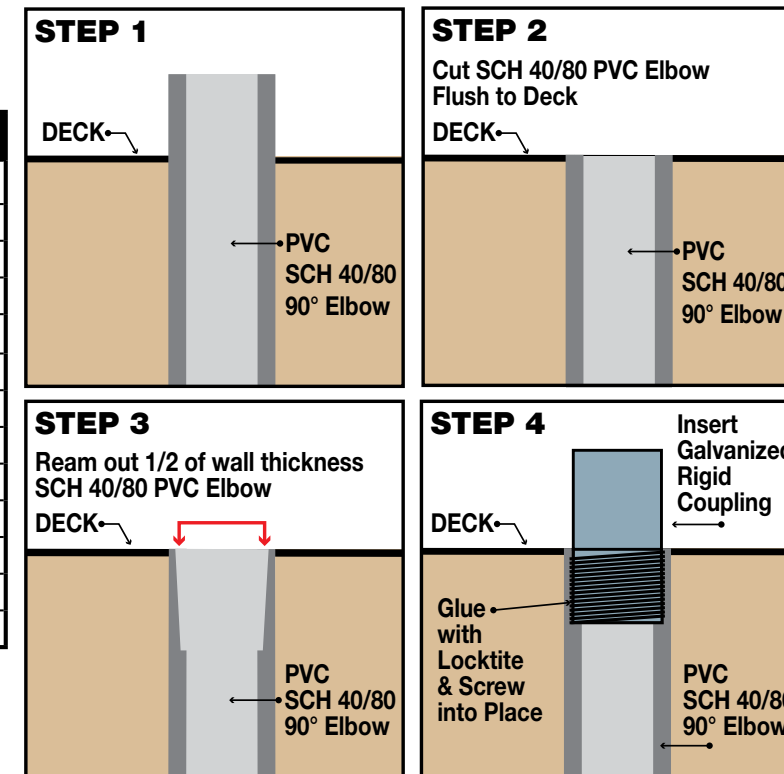
1/2" thru 6"

Size	Catalog #
1/2"	50-PVC-R-GRC
3/4"	75-PVC-R-GRC
1"	100-PVC-R-GRC
1-1/4"	125-PVC-R-GRC
1-1/2"	150-PVC-R-GRC
2"	200-PVC-R-GRC
2-1/2"	250-PVC-R-GRC
3"	300-PVC-R-GRC
3-1/2"	350-PVC-R-GRC
4"	400-PVC-R-GRC
5"	500-PVC-R-GRC
6"	600-PVC-R-GRC

All Above Meet UL651
CSA C22.2, No.85 and
US Army Corps Engineers
Specifications

Saves a great deal of time transitioning from PVC conduit to Rigid Conduit above slab without damaging PVC risers and chipping concrete eliminating a concrete repair job!

All SP Products Inc. Transition Fittings are manufactured for installation to either meet or exceed in accordance with NEMA TC2, TC3 or UL 651 specifications



Customer must satisfy all codes and owners' specifications.



PATENT PENDING
PATENTED



LABELS APPLY TO PRODUCTS ONLY WHERE SHOWN ABOVE

730 Pratt Boulevard • Elk Grove Village, IL 60007
P: (847) 593-8595 • F: (847) 593-8629 • Toll-free (800) 233-8595
E: info@spproducts.com • www.spproducts.com

CONDUX INTERNATIONAL

145 Kingswood Drive
Mankato, MN 56001
800.533.2077
507.387.1442 Fax
www.condux.com

CONNECTRAC

1350 Manufacturing St. Ste. 203
Dallas, TX 75207
877.480.5637
866.403.8532 (fax)
www.connectrac.com

ELECDIRECT.COM LLC

9-6311 Inducon Corporate Drive
Sanborn, NY 14132
800.701.0975
www.elecDirect.com

ELECTRI-FLEX

222 West Central Ave.
Roselle, IL 60172-1994
800.323.6174
www.electriflex.com

ENCORE WIRE

1329 Millwood Road
McKinney, TX 75069
972.562.9473
800.782.6475 (fax)
www.encorewire.com

FIBER SOLUTIONS INC.

17740 Hoffman Way
Homewood, IL 60430
800.743.4237
708.206.1575 (fax)
www.fsifiber.com

GARDNER BENDER

N85 W12545 Westbrook Crossing
Menomonee Falls, WI 53051
262.293.0600
www.gardnerbender.com

GENERAL CABLE

4 Tesseneer Drive
Highland Heights, KY 41076
859.572.8000
www.generalcable.com

GENSCO

53 Carlaw Ave.
Toronto, Ontario, CN M4M2R6
416.465.7521
www.genscoequipment.com

GREAVES CORP

30 Industrial Park Rd.
Centerbrook, CT 06409
800.243.1130
www.greaves-usa.com

**HITACHI CABLE
MANCHESTER INC.**

900 Holt Ave.
Manchester, NH 03109
603.669.4347
603.669.9621 (fax)
www.hcm.hitachi.com

ICC

14700 Alondra Blvd.
La Mirada, CA 90638
888.ASK.4.ICC
562.356.3100 (fax)
www.icc.com

IPEX USA

1055 Wilton Grove Rd.
London, Ontario N6N 1C9
800.463.9572
www.ipexna.com

ITOOOCO

1325 Carden Farm Drive
Clinton, TN 37916
865.670.3713
www.itoolco.com

ITW BUILDDEX

13249 W. Bryn Mawr Ave.
Itasca, IL 60143
800.323.0720
630.595.3569 (fax)
www.sammysuperscrew.com

**KEYSTONE ELECTRONICS
CORPORATION**

55 South Denton Ave
New Hyde Park, NY 11040
800.221.5510
www.keyelco.com

KIST CORP.

1229 Capital Drive
Addison, IL 60101
630.332.5223
www.kistcorp.com

K-SUN CORP.

370 SMC Drive
Somerset, WI 54025
800.622.6312
www.ksun.com

KOLBI PIPE MARKER CO.

416 Campus Dr.
Arlington Heights, IL 60004
800.499.8450
800.596.3057 (fax)
www.kolbipipemarkers.com

KRALOY FITTINGS

1055 Wilton Grove Rd
London, Ontario N6N 1C9
800.265.1815
www.kraloyfittings.com

MAXIS

4838 E. Baseline Rd. Ste.131
Mesa, AZ 85206
888.266.2947
480.633.9114 (fax)
www.maxis-tools.com

NATIONAL WIRE & CABLE

136 San Fernando Rd.
Los Angeles, CA 90031
714.778.5336
www.nationalwire.com

NIEDAX-KLEINHUIS USA, INC.

7545 Pingue Drive
Worthington, OH 43085
614.888.3331
614.888.0462 (fax)
www.kleinhuis.com

PARTEX MARKING SYSTEMS

1155 North Main St.
Lombard, IL 60148
630.516.0400
www.partexmarker.com

PLATINUM TOOLS

668 Flinn Ave. Unit 21
Moorpark, CA 93021
805.384.2777
www.platiumtools.com

POWER & TEL

2673 Yale Ave.
Memphis, TN 38112
800.451.4381
www.ptsupply.com/quick-pull

RANDL INDUSTRIES

P.O. Box 14319
Spokane, WA 99206
509.340.0050
www.randl-inc.com

REGAL MANUFACTURING

900 S. Ajax Ave.
Industry, CA 91748
626.964.6531
626.964.3964 (fax)
www.regalfittings.com

THE SIEMON COMPANY

27 Siemon Company Drive
Watertown, CT 06795
860.945.4200
www.siemon.com

SILTEC USA, INC

11604 Airport Rd
Everett, WA 98204
425.328.1006
www.siltec.us

SLABACH ENTERPRISES

2148 Highway 22
Kalona, IA 52247
319.656.2226
www.slabach.com

SOKKIA

16900 W. 118th Terrace
Olathe, KS 66061
800.4.SOKKIA
www.sokkia.com

SOUTHWIRE CO.

302 Rome St.
Carrollton, GA 30117
www.southwire.com

SP PRODUCTS INC.

730 Pratt Blvd.
Elk Grove, IL 60007
800.233.8595
www.spproducts.com

STRIP-TEC

3700 North Commerce
FT. Worth, TX 76106
817.386.2288
www.stripotec.com

THOMAS & BETTS CORP.

8155 T&B Boulevard
Memphis, TN 38125
800.888.0211 • 901.252.1347 (fax)
www.tnb.com

TOPAZ

925 Waverly Ave.
Holtsville, NY 11742
800.666.2852
www.topaz-usa.com

TRIPLETT / BYTE BROTHERS

850 Perimeter Rd.
Manchester, NH 03103
800.TRIPLETT
www.triplett.com

UNDERGROUND DEVICES INC.

887 Deerfield Pkwy
Buffalo Grove, IL 60089
847.205.9000
847.205.9004 (fax)
www.udevices.com

UNIQUE METAL SOLUTIONS

P.O. Box 133
Gray Summit, MO 63039
866.481.8899
www.rocket-rack.com

WAGO CORPORATION

N120 W19129 Freistadt Road
Germantown, WI 53022
800.DIN.RAIL
262.255.3232 (fax)
www.wago.com

WEST PENN WIRE/CDT

2833 W. Chestnut St.
Washington, PA 15301
724.222.7060
724.222.6420 (fax)
www.westpenn-cdt.com

WIREGUARD, INC.

P.O. Box 515
Kimberling City, MO 65656
417.447.2940
417.739.9288 (fax)
www.wireguardinc.com

THE WIREMOLD COMPANY

60 Woodlawn St.
West Hartford, CT 06110
800.621.0049
860.232.2062 (fax)
www.wiremold.com

ADDITIONAL DISTRIBUTORS**EMERGI-LITE
(A THOMAS & BETTS CO.)**

1811 Hymus Blvd.
Dorval, Quebec H9P 1J5
Canada
866.857.5711
514.685.7389 (fax)
www.emergi-lite.com

THE HOME DEPOT

2455 Paces Ferry Rd.
Atlanta, GA 30339
www.homedepot.com



Was your company not included in this year's directory? To be included next year please email your listing to danny@epsmag.net

This advertiser index is compiled as a courtesy to our readers. While every effort is made to provide a complete and accurate listing of companies and page numbers, the publisher is not responsible for errors. **Click the company name or page number to see their advertisement.**

Company	PG#	Company	PG#
APPLETON / EMERSON	9	MILLER SAFETY CONSULTANTS, LTD	7
APPLETON / EMERSON	11	MILLER SAFETY CONSULTANTS, LTD	16
BASETEK, LLC	5	SP PRODUCTS INC	3
CONDUIT REPAIR SYSTEMS	21	SP PRODUCTS INC	19
ELECTRI-FLEX	17	SP PRODUCTS INC	26, 27
IToolco	IFC	SP PRODUCTS INC	31
IToolco	13	SP PRODUCTS INC	BC
IToolco	29	TIMCO INSTRUMENTS	23
IToolco	IBC	UNDERGROUND DEVICES	1
KNOCK`ER-IN	15	UNDERGROUND DEVICES	8
KRENZ & COMPANY	34		

CORDLESS CANNON 6K

iTOOLco.

WWW.ITOOLCO.COM | 865.670.3713



Speed, versatility, and performance are all yours with iTOOLco's Cordless Cannon 6K™. This portable 6,000 lb. puller is intuitively designed to handle all of your day-to-day wire pulls.

The built-in capstan switch automatically turns the puller on and off. Simply tug on the rope to start the pull and slack off the rope to shut it down. Delivers dynamic performance in remote locations or areas where power is not yet available.



When it comes to transformer cooling fans, Krenz-Vent is the industry recognized gold standard. Our leadership position is earned through 80+ years of R&D plus our superior engineering and customer service. You can rest easy when you specify Krenz fans.

ENGINEERED TO COOL
There is no comparison.

KRENZ & COMPANY, INC.
KRENZVENT.COM • 262.255.2310 • KRENZ@KRENZVENT.COM

ALL THE INFORMATION YOU NEED IS JUST A CLICK AWAY AT **WWW.EPSMAG.NET**

Electrical Products & Solutions

Transition Couplings
PVC Bell End Adapter
Galvanized Rigid Conduit - 1/2" thru 6"

HOME ARTICLES NEWS VIDEOS PRODUCTS SUBSCRIBE CONTACT

Warming Up to Electrical Heating Cables

WHAT'S NEW

Conduit Repair Systems, Inc. The World Leader in Split Conduit Products

DMF Lighting Expands its M Series Commercial Collection with High Lumen Packages for Hospitality and Mix-Use Spaces

New Multi-Tester from Klein Tools® Combines Core Electrical Products into One Model

HPS Launches SineWave Filter To Safeguard Motor and Cables

Subscribe to Our Newsletter



SPPRODUCTS, INC.

Productivity and value thru ideas
FOR SAFER BETTER FASTER JOBS



We're Proud to be the Electricians' Friend for Over 50 Years!

IP5

"The Original"

Enter Any KO on Both Sides of the Box



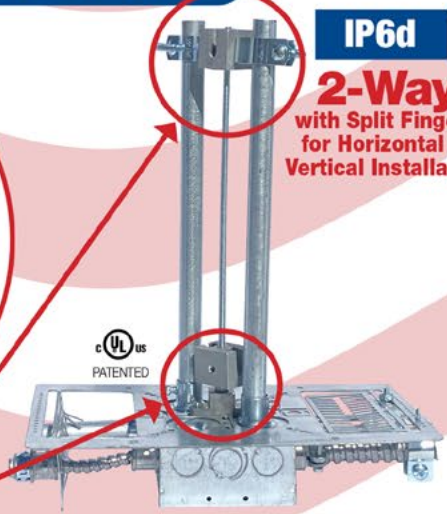
IP19/20
4-Conduit Block
PATENTED

IP21a
QwikBlock
PATENT PENDING

Use 4-Conduit Block (IP19 or IP20) with QwikBlock (IP21a)

IP6d

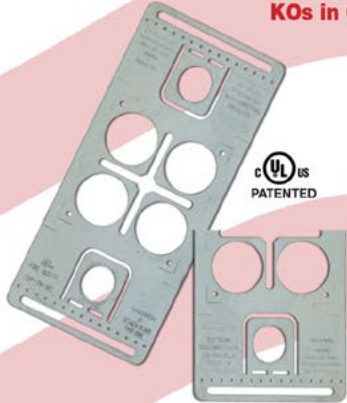
2-Way
with Split Fingers for Horizontal or Vertical Installation



IP6

4-Way

Enter Any KO on All 4 Sides of the Box Plus 4 Large Open KOs in Center Allows Entering Back of Box

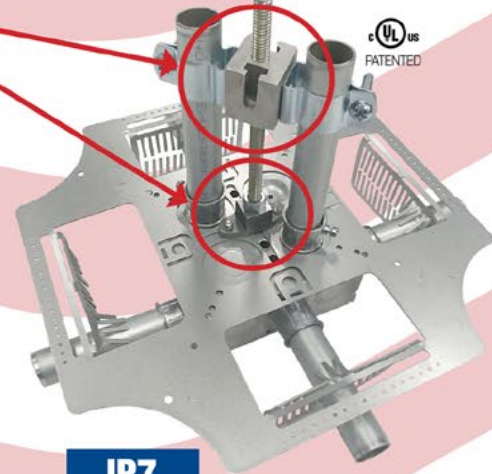


IP6a

2-Way/Half

Enter Any KO on 1 or 2 Sides of the Box Plus Large Open KOs in Center Allows Entering Back of Box

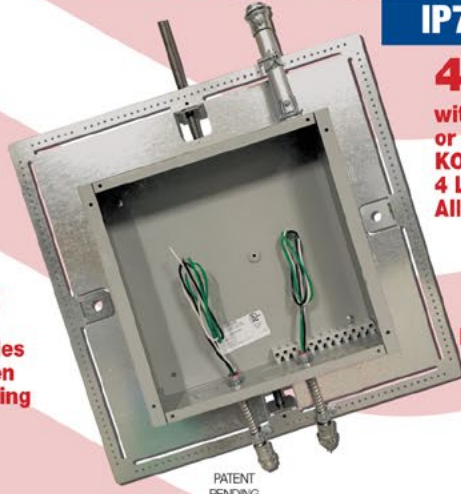
Our Family of Conduit & Box Support Plates Saves Valuable Time & Money!



IP7

4-Way

with Split Fingers for Horizontal or Vertical Installation. Enter Any KO on All 4 Sides of the Box Plus 4 Large Open KOs in Center Allows Entering Back of Box.



IP8

Mount Horizontally or Vertically from One Single Support

20 x 20

Supports up to 12 x 12 J-Box

28 x 28

Supports up to 20 x 20 J-Box

MADE IN THE USA!

Plus More Being Invented for *SAFER BETTER FASTER* Jobs . . . Call With Your Ideas!

SPProducts.com 800-233-8595 info@SPProducts.com